

3.5 SERIES Precision Subminiature Connectors

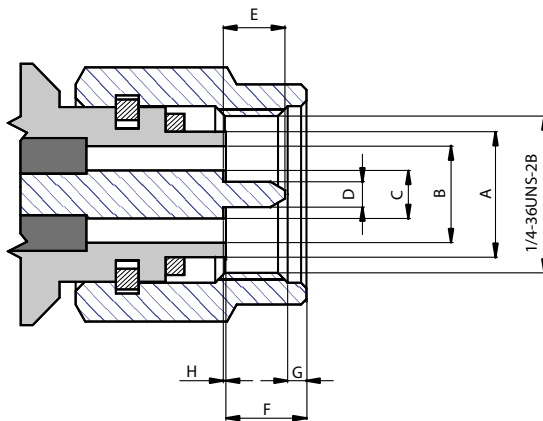
3.5

FEATURES

3.5 connectors are designed for microwave applications up to 33Ghz. They are often used on semi-rigid cable assemblies and are intermateable with SMA and K connectors.

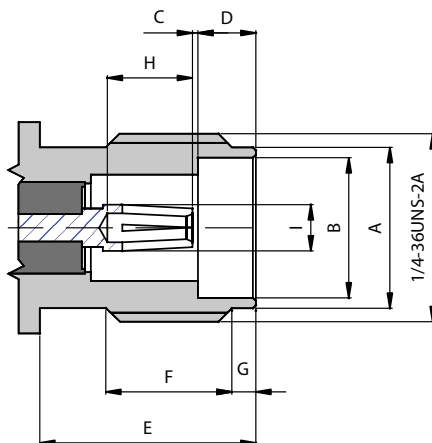
INTERFACE MATING DIMENSIONS

PLUG:



Letter	Millimeters(Inch)	
	Minimum	Maximum
A	4.55(.179)	4.58(.180)
B	3.49(.138)	3.51(.138)
C	1.51(.060)	1.52(.060)
D	0.92(.036)	0.93(.037)
E	2.03(.080)	2.29(.090)
F	2.36(.093)	3.43(.135)
G	0.38(.015)	1.14(.045)
H	0.00(.000)	0.08(.003)

JACK:



Letter	Millimeters(Inch)	
	Minimum	Maximum
A	5.30(.209)	5.40(.213)
B	4.60(.181)	4.63(.182)
C	0.00(.000)	0.08(.003)
D	1.88(.074)	1.98(.078)
E	5.54(.218)	-
F	3.35(.132)	4.62(.182)
G	0.38(.015)	1.14(.045)
H	2.79(.110)	3.18(.125)
I	1.51(.060)	1.52(.060)

TECHNICAL DATA

Electrical Data		
Cable type	RG405	RG402
Dielectric Withstanding Voltage (at sea level, in V rms, 50Hz)	750	1000
Working Voltage (at sea level, in V rms, 50Hz)	≤250	≤335
Impedance	50Ω	
Frequency Range	DC up to 33GHz	
RF-leakage	≥100dB-f(GHz)dB	
Insulation Resistance	≥5000MΩ	
Contact Resistance Inner Conductor	≤3mΩ	
Contact Resistance Outer Conductor	≤2mΩ	

Mechanical Data	
Recommended Coupling Nut Torque	7.1 in.lbs...9.7 in.lbs
Coupling Proof Torque	15.0 in.lbs
Coupling Nut Retention Force	60.7 lbs
Contact Captivation	6.1 lbs
Durability (matings)	≥500

Environmental Data	
Temperature Range	-65°C...+90°C
Thermal Shock	MIL-STD-202, Method 107, Condition B
Moisture Resistance	MIL-STD-202, Method 106
Corrosion	MIL-STD-202, Method 101, Condition B

VSWR

≤ 1.20 up to 18GHz

≤ 1.25 up to 26.5GHz

3.5

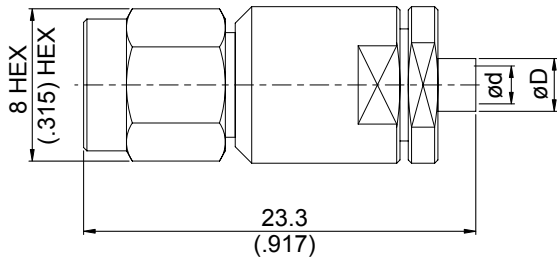


Figure 1

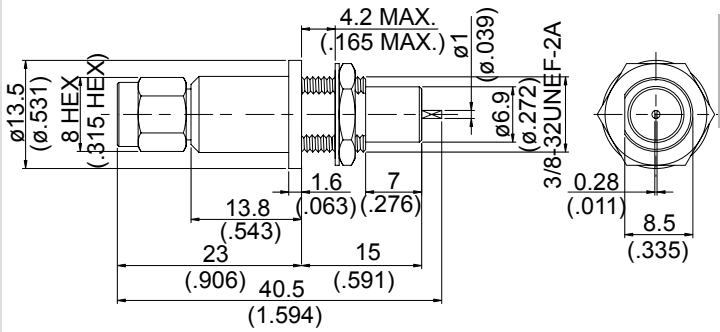


Figure 2

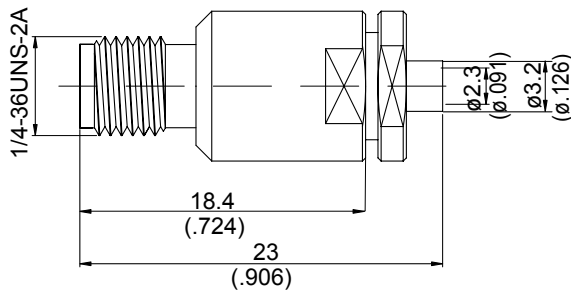


Figure 3

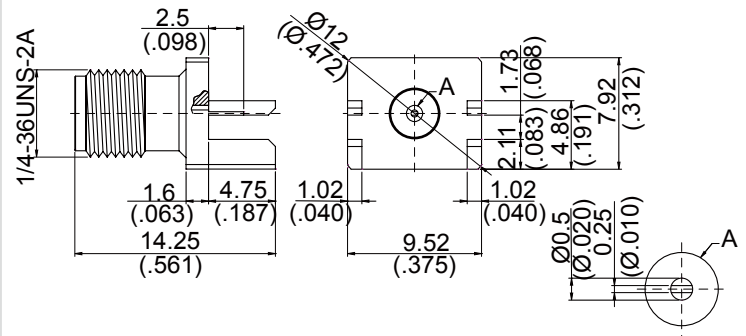


Figure 4

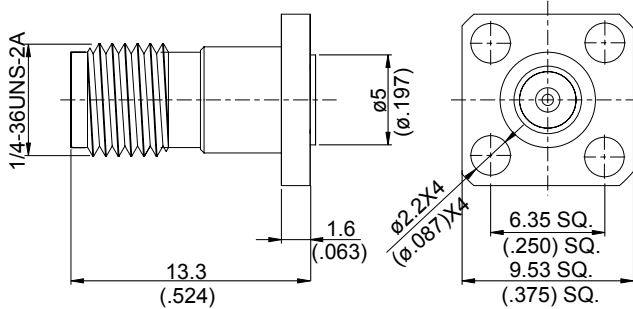
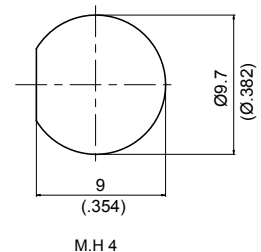


Figure 5

*many more options available, since the production of this catalog. Ask us!!!

PART NUMBER	Fig.	Measurements	M.H.	Weight	Material	Suitable Cables	Remarks
3.5 PLUG SOLDER CLAMP							
MMC35DSP-085	1	ød=2.3(.091) øD=4.0(.157)			A6	Semi-rigid.085	
MMC35DSP-141S	1	ød=3.7(.146) øD=4.8(.189)			A6	Semi-rigid.141	
3.5 PLUG FOR BULKHEAD							
MMC35BHP	2		4	16.24g	A6		
3.5 JACK SOLDER CLAMP							
MMC35CLDSJ-085	3				B3	Semi-rigid.085	
3.5 JACK P.C.B MOUNT END LAUNCH							
MMC35PMJEL	4				B1		
3.5 FIELD REPLACEABLE JACK							
MMC35FJ-036	5				B3		Accepts pin size .036"



M.H 4