

BMC SERIES

High Reliability Connectors

FEATURES

BMC connectors are suitable to be used in a harsh, demanding environment. They are especially designed to be resistant to high vibration and axial forces and are often used in military radar equipment. In applications where regular connectors would fall off, BMC's are used because their internal design has a spring, which will absorb vibration and other forces applied. BMC's can be used in applications up to 10GHz.



TECHNICAL DATA

Electrical Data	
Dielectric Withstanding Voltage (at sea level, in V rms, 50Hz)	1500(RG402/U)
Working Voltage (at sea level, in V rms, 50Hz)	≤500(RG402/U)
Impedance	50Ω
Frequency Range	DC up to 8GHz
RF-leakage	≥60dB
Insulation Resistance	≥5000
Contact Resistance Inner Conductor	≤3m Ω
Contact Resistance Outer Conductor	≤2m Ω

Mechanical Data	
Contact Captivation	≥6.1 in.lbs
Durability (matings)	500(min)

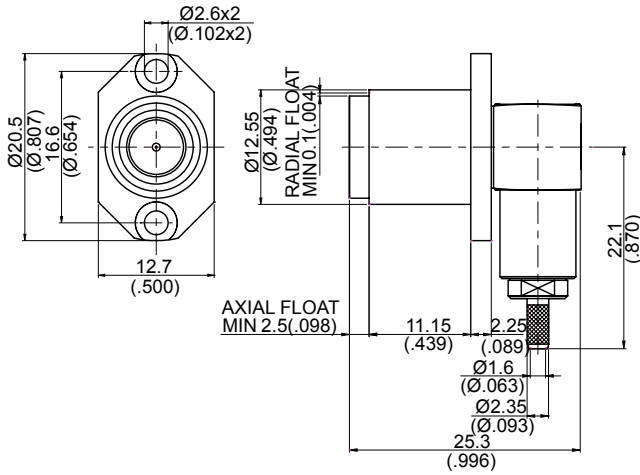


Figure 1

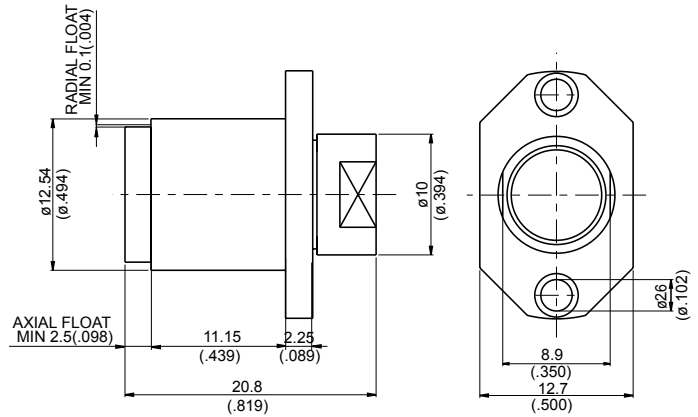


Figure 2

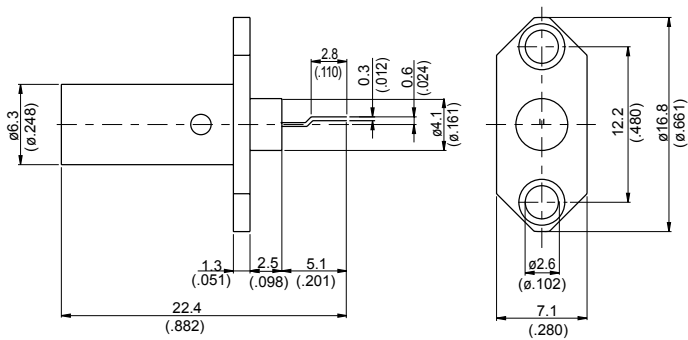
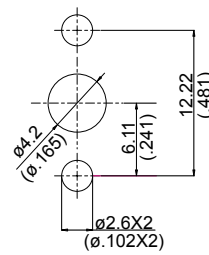
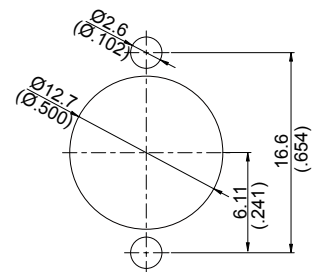


Figure 3



M.H 19



M.H 10A

PART NUMBER	Fig.	M.H	Weight	Material	Suitable Cable	Remarks
BMC PLUG CRIMP RIGHT ANGLE						
MMCBRACP-316	1	10A	20.4g	A3	RG174, RG188, RG316, RG316-E, RG316-FEP	
BMC PLUG TERMINATOR						
MMCBPT2W-2Z	2	10A	12.76g	A3		2W Average Power up to 2GHz
BMC JACK FOR PANEL RECEPTACLE						
MMCBPRJ	3	19	3.46g	B3		