

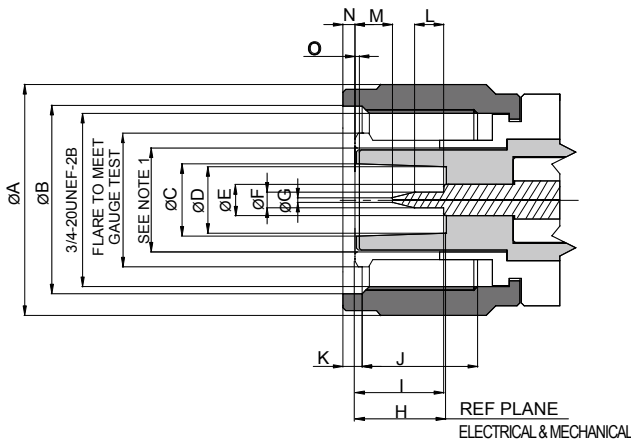
HN SERIES High Voltage Connectors

FEATURES

HN are medium sized 50 ohm connectors suitable for applications up to 4 GHz. They are high voltage connectors designed for use when a better R.F. and mechanical performance than N series connectors is required.

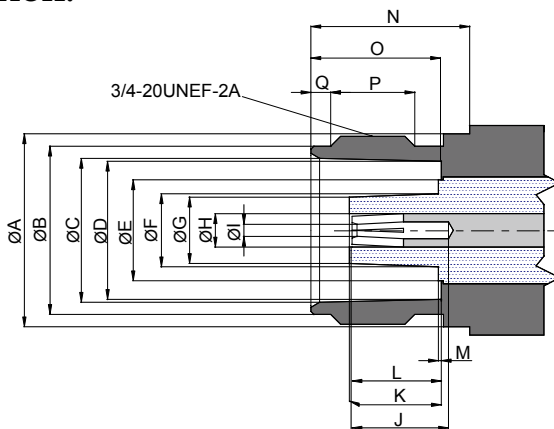
INTERFACE MATING DIMENSIONS

PLUG:



Letter	Millimeters(Inch)	
	Minimum	Maximum
A	–	23.50(.925)
B	19.30(.760)	–
C	7.33(.289)	–
D	6.69(.263)	–
E	–	3.35(.132)
F	1.58(.062)	1.68(.066)
G	–	0.38(.015)
H	9.33(.367)	–
I	9.10(.358)	9.85(.388)
J	10.22(.402)	–
K	2.54(.100)	–
L	3.03(.120)	–
M	3.50(1.38)	–
N	–	1.48(.058)
O	0.13(.005)	–

JACK:



Letter	Millimeters(Inch)	
	Minimum	Maximum
A	–	19.18(.755)
B	16.80(.662)	17.35(.683)
C	14.50(.571)	14.68(.578)
D	13.90(.548)	14.05(.553)
E	–	10.91(.430)
F	–	7.47(.294)
G	–	6.80(.268)
H	–	3.35(.132)
I	1.58(.062)	1.68(.066)
J	9.00(.355)	–
K	–	9.35(.368)
L	8.32(.328)	9.10(.358)
M	–	0.13(.005)
N	14.99(.590)	–
O	13.10(.516)	13.25(.522)
P	9.11(.359)	–
Q	1.95(.077)	2.20(.087)

Note:

1. I.D. of outer contact when inserted into a .548 maximum diameter ring gauge shall be .432 minimum
2. MESA'S HN connectors meet the interface requirements of MIL-STD-348A

HN

TECHNICAL DATA

NH

Electrical Data	
Dielectric Withstanding Voltage (at sea level, in V rms, 50Hz)	5000
Working Voltage (at sea level, in V rms, 50Hz)	1500
Impedance	50 Ω
Frequency Range	DC up to 4 GHz
RF-leakage	(95-f(GHz))dB
Insulation Resistance	5000M Ω
Contact Resistance Inner Contacts	1.0m Ω
Contact Resistance Outer Contacts	0.2m Ω

Mechanical Data	
Recommended Coupling Nut Torque	15-18 in.lbs
Coupling Nut Retention Force	30 in .lbs
Durability (matings)	500(min)

Environmental Data	
Temperature Range	-65°C...+165°C

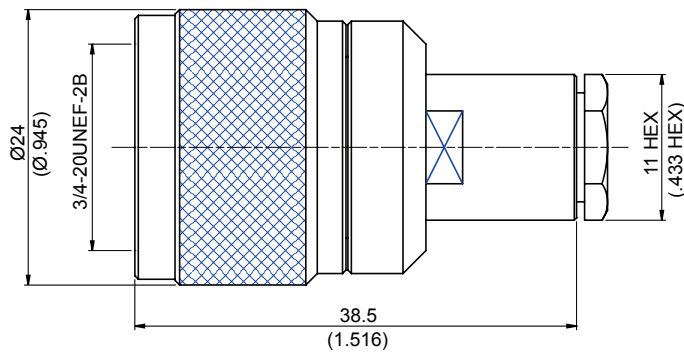


Figure 1

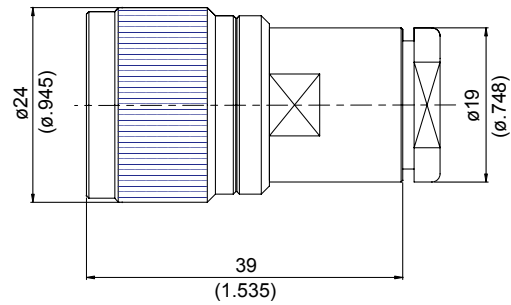


Figure 2

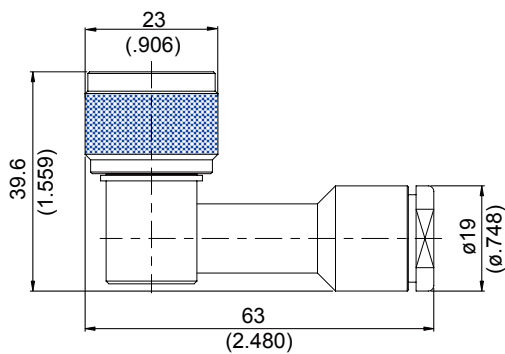


Figure 3

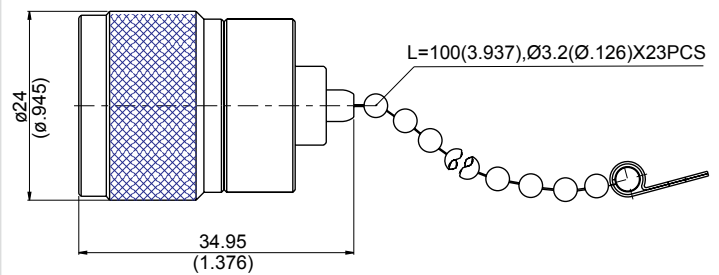


Figure 4

HN

PART NUMBER	Fig.	Weight	Material	Suitable Cable	Remarks
HN PLUG CLAMP					
MMCHCLP-058	1		D11	RG55, RG58, RG142, RG142-E, RG223, RG400, M195	
MMCHCLP-213	2		D11	RG8, RG213	
MMCHCLP-214	2		D11	RG214	
HN PLUG CLAMP RIGHT ANGLE					
MMCHRACLP-214	3	112.6g	A11	RG214	
HN PLUG TERMINATOR					
MMCHPT2W-6Z	4		D11		2W Average Power; VSWR 1.2 Up to 5GHz; VSWR 1.28 From 5GHz to 6GHz