

## Precision Subminiature Coaxial Connectors

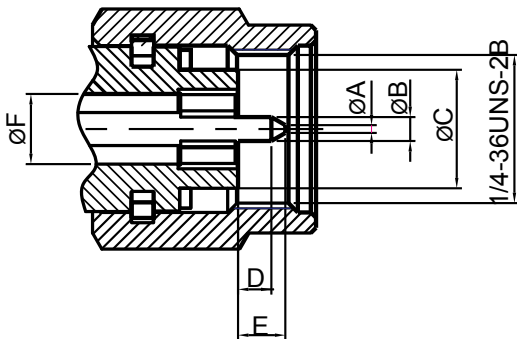


### FEATURES

K connectors are precision connectors for microwave applications up to 40GHz that are intermateable with SMA and 3.5 connectors. The main features are high mechanical strength, high durability and low VSWR.

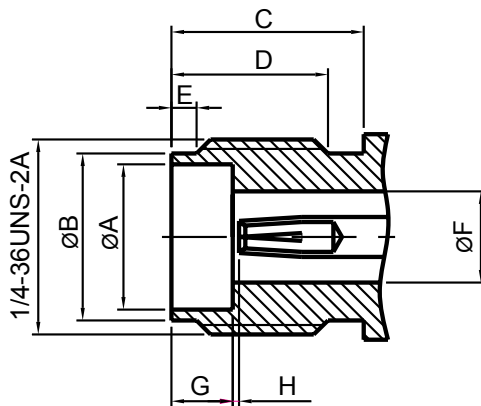
### INTERFACE MATING DIMENSIONS

#### PLUG:



Letter	Millimeters (inch)	
	Minimum	Maximum
A	–	0.2(.008)
B	0.91(.036)	0.94(.037)
C	4.55(.179)	4.59(.181)
D	1(.039)	–
E	1.42(.056)	1.68(.066)
F	2.9(.114)	2.95(.116)

#### JACK:



Letter	Millimeters (inch)	
	Minimum	Maximum
A	4.59(.181)	4.64(.183)
B	5.28(.208)	5.49(.216)
C	5.54(.218)	–
D	4.32(.170)	–
E	0.38(.015)	1.14(.045)
F	2.9(.114)	2.95(.116)
G	1.88(.074)	1.98(.078)
H	–	0.13(.005)



## TECHNICAL DATA

<b>Electrical Data</b>	
Dielectric Withstanding Voltage (at sea level, in V rms, 50 Hz)	750
Working Voltage (at sea level, in V rms, 50 Hz)	≤250
Impedance	50Ω
Frequency Range	DC up to 40 GHz
RF-leakage	≥100dB-f(GHz)dB
Insulation Resistance	5000MΩ
Contact Resistance Inner conductor	≤3mΩ
Contact Resistance Outer conductor	≤2mΩ

<b>Mechanical Data</b>	
Recommended Coupling Nut Torque	7.1 to 9.7 in.-lbs
Coupling Proof Torque	15in.-lbs
Contact Captivation	6.1 lbs
Durability (matings)	≥500

<b>Environmental Data</b>	
Temperature Range	-55°C...+125°C
Thermal Shock	MIL-STD-202, Method 107, Condition B

## VSWR

1.4 at 40 Ghz

# MESA MICROWAVE

**K**

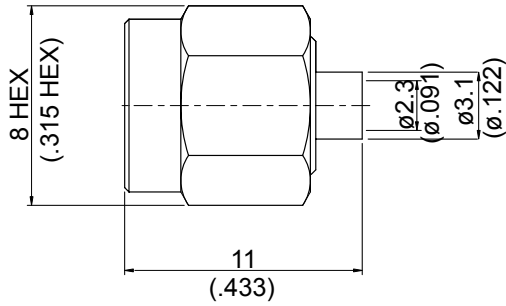


Figure 1

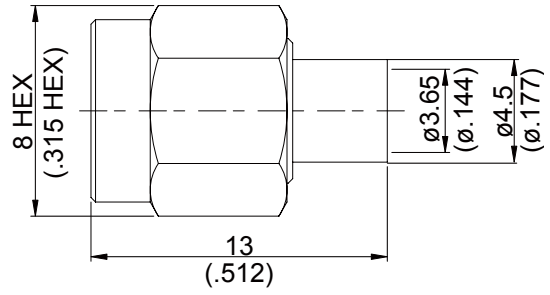


Figure 2

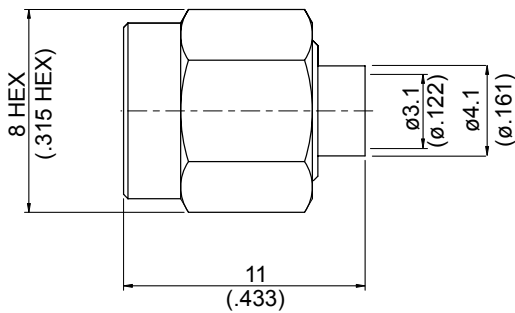


Figure 3

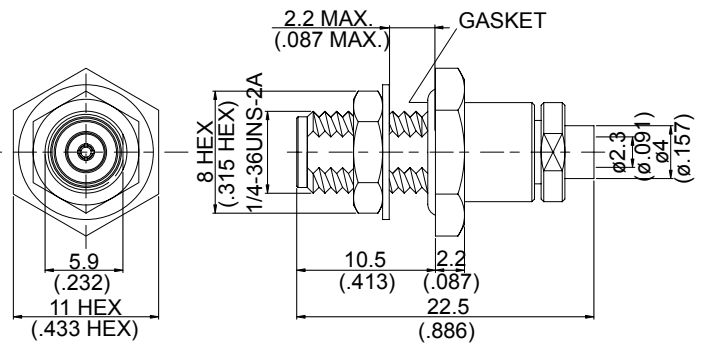
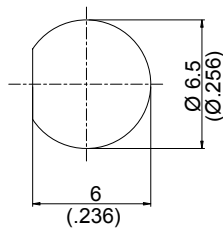


Figure 4



M.H 2

\* more options are available, since the design of this catalog. Ask Us!!!!

PART NUMBER	Fig.	M.H.	Weight	Material	Suitable Cables	Remarks
<b>K PLUG SOLDER</b>						
MMC2KDSP-085	1		2.41g	A8	Semi-rigid .085	
MMC2KDSP-141	2		2.45g	A8	Semi-rigid .141	
MMC2KDSP-118	3		3.5g	8	Semi-rigid .118	No Pin
<b>K JACK SOLDER CLAMP FOR BULKHEAD</b>						
MMC2KBHDSJ-C085	4	2	6.83g	B8	Semi-rigid .085	

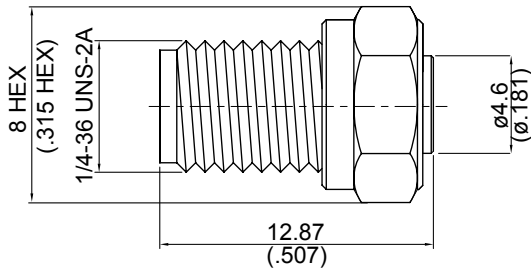


Figure 1

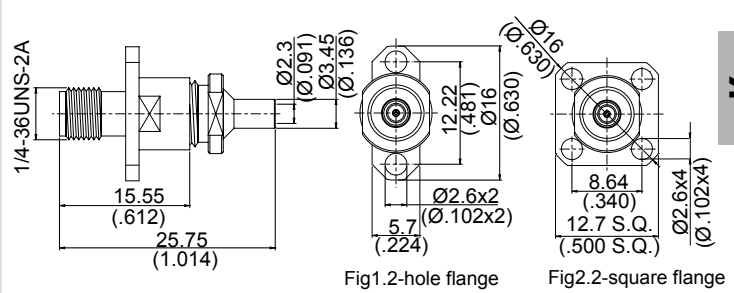


Fig1.2-hole flange Fig2.2-square flange

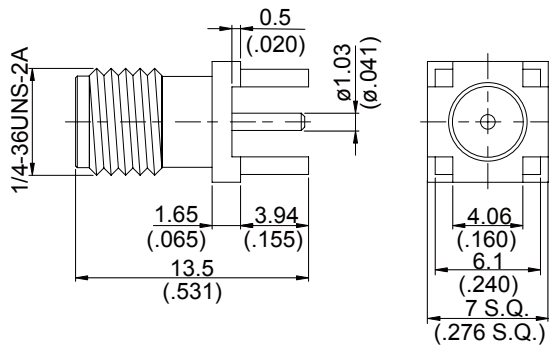


Figure 3

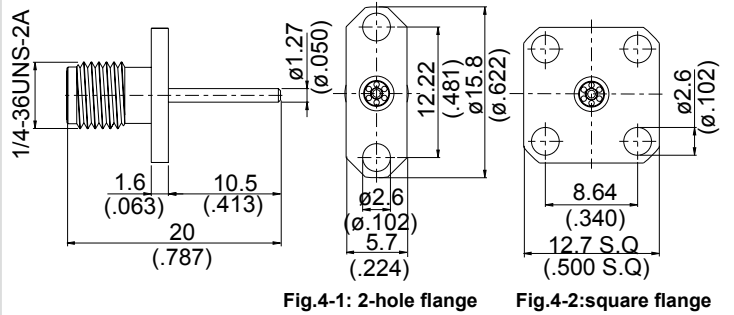


Fig.4-1: 2-hole flange Fig.4-2: square flange

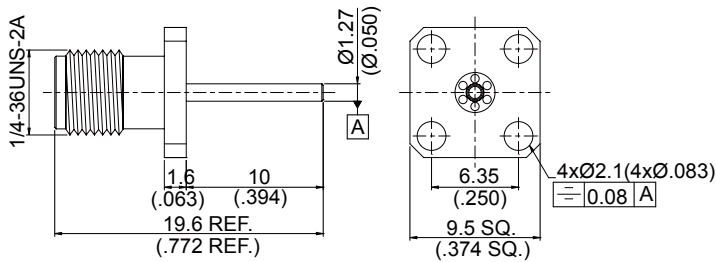
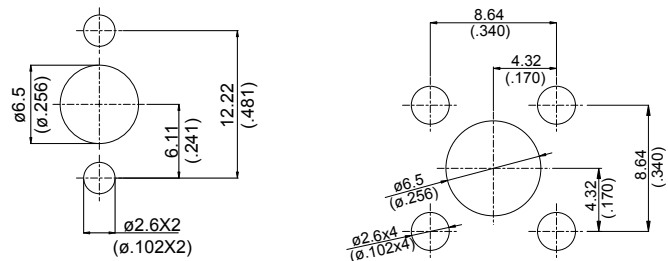
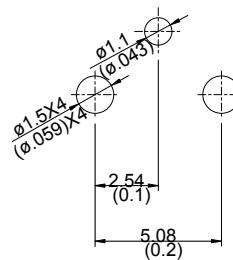


Figure 5



M.H 10

M.H 16



M.H 95

PART NUMBER	Fig.	M.H.	Weight	Material	Suitable Cables
<b>K JACK SOLDER</b>					
MMC2KDSJ-118	1		3.08g	B8	Semi-Rigid .118
<b>K JACK SOLDER CLAMP FOR PANEL RECEPTACLE</b>					
MMC2KPRJ2H-SC85	2-1	10		B3	Semi-Rigid .085
MMC2KPRJ4H-SC85	2-2	16	4.11g	B3	Semi-Rigid .085
<b>K JACK P.C.B MOUNT</b>					
MMC2KPMJ	3	95	1.67g	B1	
<b>K JACK FOR PANEL RECEPTACLE</b>					
MMC2KPRJ2H	4-1			B3	
MMC2KPRJ4H	4-2		2.6g	B3	
MMC2KPRJ4H-CM	5		1.93g	B3	