

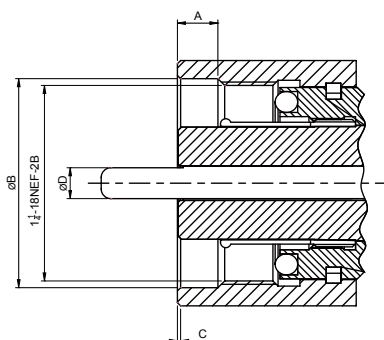
LC SERIES High Voltage Connectors

FEATURES

LC series connectors are large, high voltage, 50 Ω connectors.

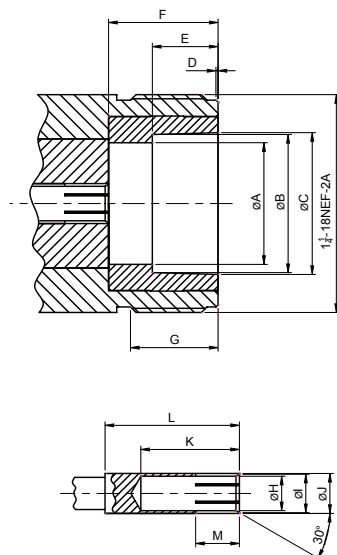
INTERFACE MATING DIMENSIONS

SMALL LC STANDARD PLUG:



Letter	Millimeters(Inch)	
	Minimum	Maximum
A	5.944(.234)	6.756(.266)
B	32.41(1.276)	32.66(1.286)
C	0.787(.031)x45.5°	0.787(.031)x45.5°
D	4.75(.187)	4.80(.189)

SMALL LC STANDARD JACK:



Letter	Millimeters(Inch)	
	Minimum	Maximum
A	17.60(.693)	17.70(.697)
B	20.015(.788)	20.066(.790)
C	20.48(.806)	20.67(.814)
D	1.19(.047)	1.98(.078)
E	9.48(.373)	9.57(.377)
F	15.83(.623)	15.92(.627)
G	12.30(.484)	13.10(.516)
H	-	5.13(.202)
I	5.385(.212)	5.588(.220)
J	5.766(.227)	5.816(.229)
K	-	14.274(.562)
L	-	19.05(.750)
M	-	6.35(.250)

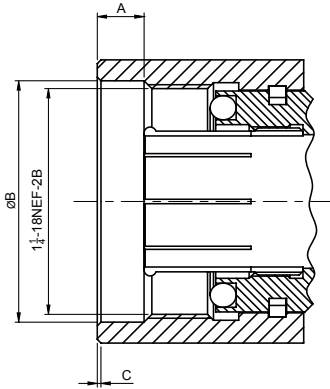
NOTES

MESA'S LC CONNECTORS MEET THE INTERFACE REQUIREMENTS OF MIL-STD-348A

LC

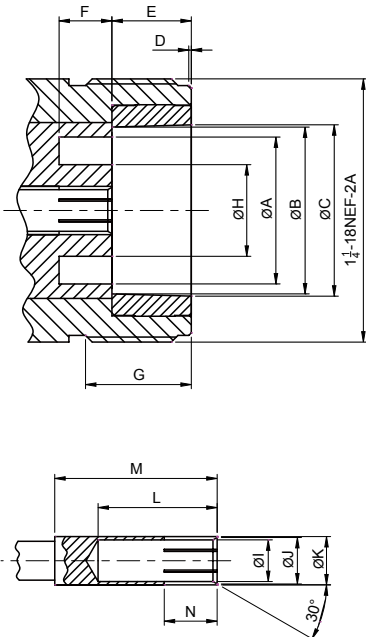
● INTERFACE MATING DIMENSIONS

SMALL LC HIGH VOLTAGE PLUG:



Letter	Millimeters(Inch)	
	Minimum	Maximum
A	5.944(.234)	6.756(.266)
B	32.41(1.276)	32.66(1.286)
C	0.787(.031)x44.5°	0.787(.031)x45.5°

SMALL LC HIGH VOLTAGE JACK:



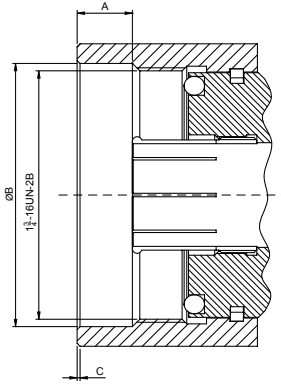
Letter	Millimeters(Inch)	
	Minimum	Maximum
A	17.66(.695)	17.75(.699)
B	20.015(.788)	20.066(.790)
C	20.48(.806)	20.67(.814)
D	1.19(.047)	1.98(.078)
E	9.48(.373)	9.57(.377)
F	6.30(.248)	6.40(.252)
G	12.30(.484)	13.10(.516)
H	11.00(.433)	11.10(.437)
I	-	5.13(.202)
J	5.385(.212)	5.588(.220)
K	5.766(.227)	5.816(.229)
L	-	14.274(.562)
M	-	19.05(.750)
N	-	6.35(.250)

NOTES

MESA'S LC CONNECTORS MEET THE INTERFACE REQUIREMENTS OF MIL-STD-348A

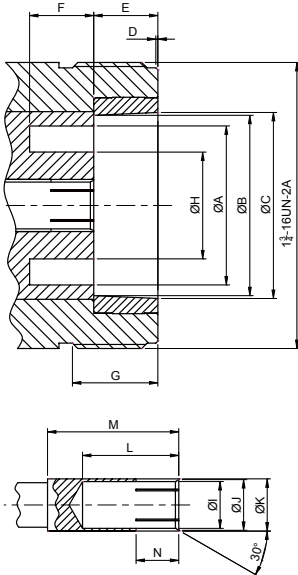
● INTERFACE MATING DIMENSIONS

LARGE LC PLUG:



Letter	Millimeters(Inch)	
	Minimum	Maximum
A	9.13(.3594)	9.92(.3906)
B	44.85(1.766)	45.64(1.796)
C	0.787(.031)x44.5°	0.787(.031)x45.5°

LARGE LC JACK:



Letter	Millimeters(Inch)	
	Minimum	Maximum
A	23.52(.926)	23.72(.934)
B	26.77(1.054)	26.82(1.056)
C	27.51(1.083)	27.76(1.093)
D	1.19(.047)	1.98(.078)
E	9.48(.373)	9.57(.377)
F	9.48(.373)	9.57(.377)
G	15.47(.609)	16.28(.641)
H	15.78(.621)	15.97(.629)
I	-	6.88(.271)
J	7.34(.289)	7.54(.297)
K	7.72(.304)	7.77(.306)
L	-	14.274(.562)
M	-	19.05(.750)
N	-	6.35(.250)

NOTES

MESA'S LC CONNECTORS MEET THE INTERFACE REQUIREMENTS OF MIL-STD-348A

121

TECHNICAL DATA

Electrical Data	
Max Peak Power(kW)	60
Working Voltage (in V rms)	≤5000
Impedance	50 Ω
Frequency Range	DC up to 1GHz

Mechanical Data	
Durability (matings)	500(min)

Environmental Data	
Temperature range	-55°C to+155°C

IC

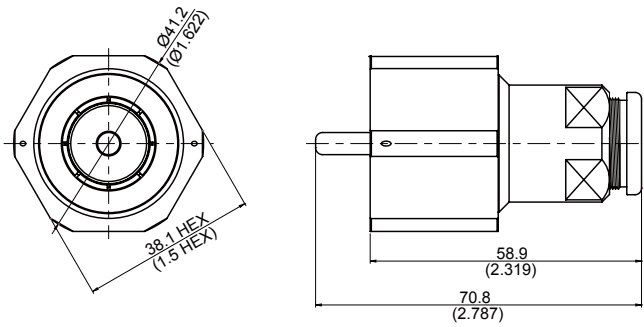


Figure 1

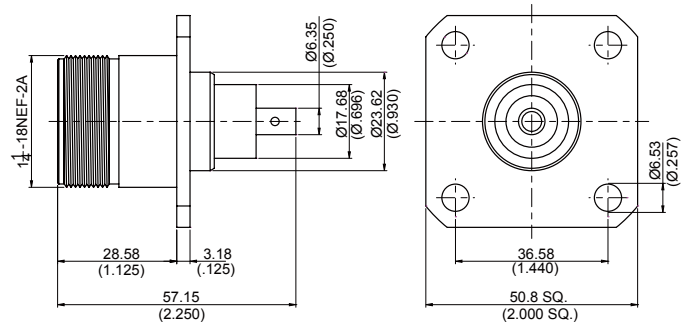
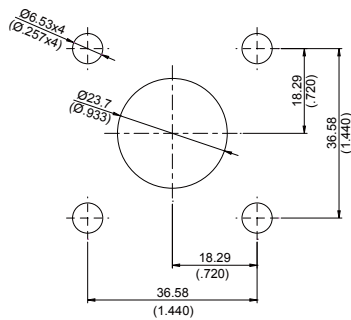


Figure 2

LC



M.H 140

PART NUMBER	Fig.	M.H	Weight	Material	Remarks
LC PLUG CLAMP					
MMCLCLP-217	1			D11	Small LC Standard Plug Interface
LC JACK FOR PANEL RECEPTACLE					
MMCLCLP-00	2	140	202g	F2	Small LC Standard Jack Interface