

SC SERIES

Medium Sized Connectors

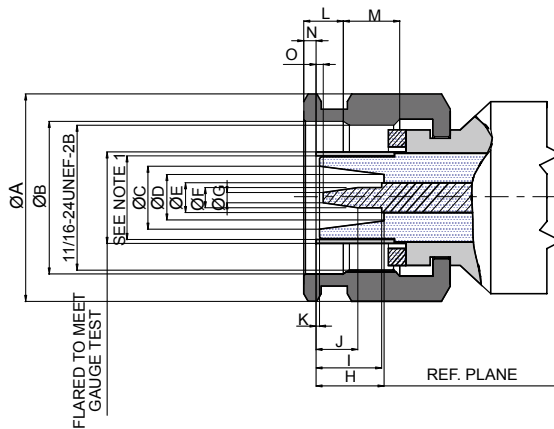
FEATURES

SC are medium-sized, 50ohm connectors with a good power handling and suitable for applications up to 11GHz. SC connectors have an interface which is similar to the C connector's interface, the only difference is that the SC's interface has a threaded coupling instead of a bayonet. SC connectors have an .687-24UNF screw thread coupling.

INTERFACE MATING DIMENSIONS

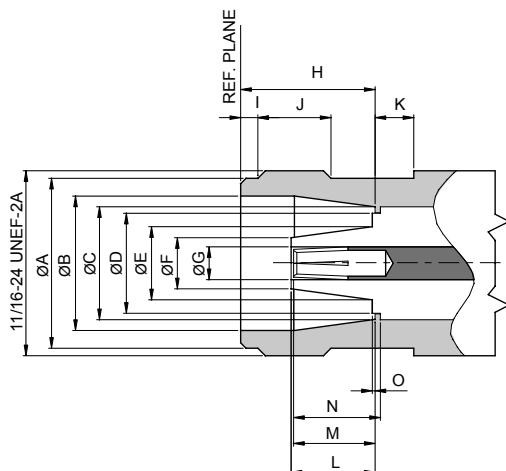
SC

PLUG:



Letter	Millimeters(Inch)	
	Minimum	Maximum
A	–	21.03(.828)
B	17.53(.6900)	–
C	7.01(.2760)	–
D	4.93(.1940)	–
E	3.028(.1192)	3.053(.1202)
F	2.29(.0900)	2.34(.0921)
G	–	1.27(.0500)
H	7.85(.3090)	–
I	7.80(.3070)	8.56(.3370)
J	4.85(.1910)	6.38(.2510)
K	0.18(.0070)	–
L	5.41(.2130)	5.66(.2230)
M	6.35(.2500)	–
N	0.64(.0250)	2.16(.0850)
O	0.08(.0030)	1.02(.0400)

JACK:



Letter	Millimeters(Inch)	
	Minimum	Maximum
A	–	16(.630)
B	12.24(.482)	12.65(.498)
C	10.44(.411)	10.54(.415)
D	–	9.50(.374)
E	–	6.91(.272)
F	–	4.83(.190)
G	3.02(.119)	3.15(.124)
H	12.47(.491)	12.57(.495)
I	1.19(.047)	1.96(.077)
J	6.35(.250)	–
K	3.56(.140)	–
L	7.85(.309)	
M	6.93(.273)	7.70(.303)
N	7.62(.300)	–
O	–	0.18(.007)

Note:

1. The I.D. of outer contact when inserted into a .411(10.44mm) maximum ring gauge shall be .377(9.58mm) minimum
2. Mesa's SC connectors meet the interface requirements of MIL-STD-348A

TECHNICAL DATA

Electrical Data	
Dielectric Withstanding Voltage (at sea level, in V rms, 50Hz)	3000
Working Voltage (V rms)	≤1000
Impedance	50 Ω
Frequency Range	DC up to 11GHz
RF-leakage	-90db mini. at 3GHz
Insulation Resistance	≥5000M Ω
Contact Resistance Inner Conductor	≤1m Ω
Contact Resistance Outer Conductor	≤0.15m Ω

Mechanical Data	
Durability (matings)	500(min)

Environmental Data	
Temperature Range	-65°C...+165°C
Moisture Resistance	MIL-STD-202, Method 106
Corrosion	MIL-STD-202, Method 101, Condition B

SC

MESA MICROWAVE

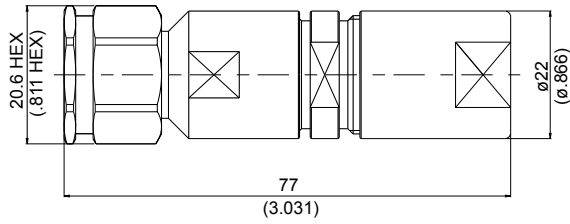


Figure 1

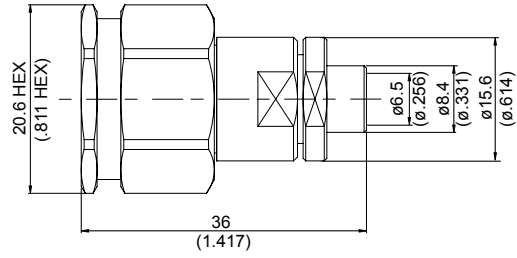


Figure 2

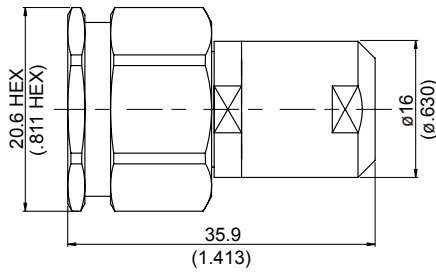


Figure 3

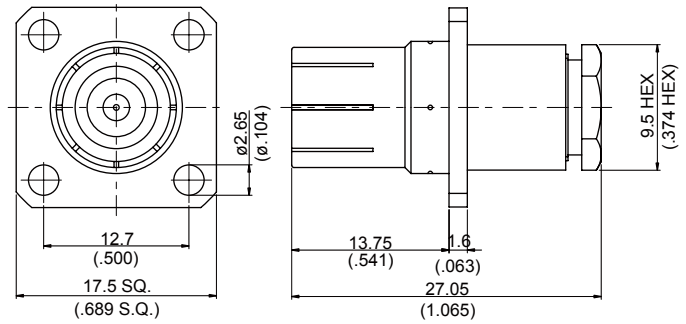


Figure 4

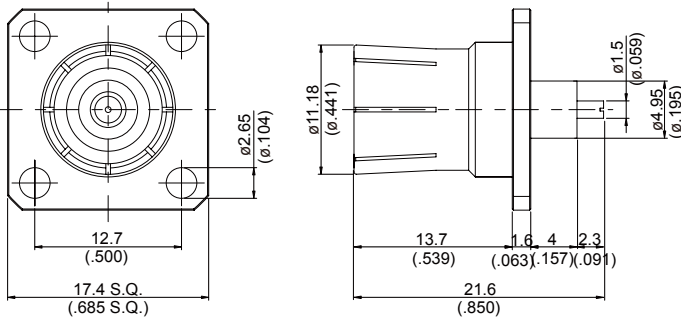


Figure 5

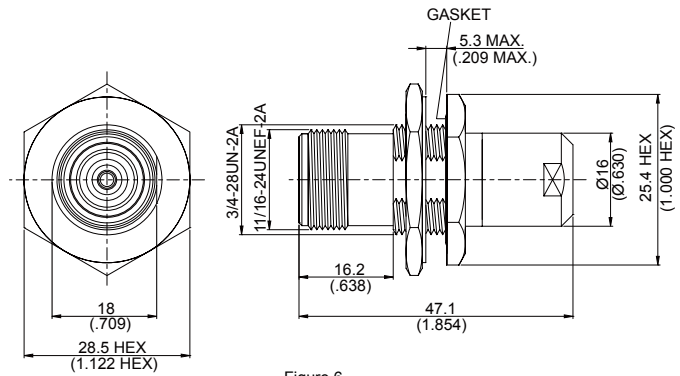
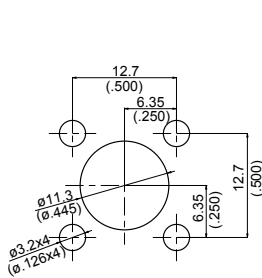
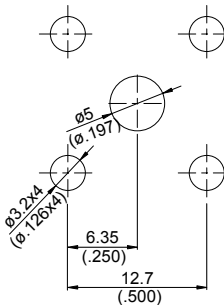


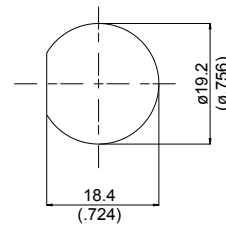
Figure 6



M.H 23



M.H 54



M.H 8

PART NUMBER	Fig.	M.H	Weight	Material	Suitable Cable	Remarks
SC PLUG CLAMP						
MMSCCLP-217	1			A11	RG217	
SC PLUG SOLDER CLAMP						
MMSCSCLP-250	2		41.88g	A11	Semi-rigid .250	
MMSCSCLP-250S	3		45.5g	A6	Semi-rigid .250	S= Stainless Steel
SC SNAP ON PLUG SOLDER CLAMP FOR PANEL RECEPTACLE						
MMSCPSCLP-141Q	4	23	28.06g	A2	Semi-rigid .141	Snap On; No Gasket
SC SNAP ON PLUG FOR PANEL RECEPTACLE						
MMSCPRP-Q	5	54	8.40g	A2		Snap On; No Gasket
SC JACK SOLDER FOR BULKHEAD						
MMSCBHSJ-250S	6	8	73.64g	C3	Semi-rigid .250	S= Stainless Steel; With Gasket

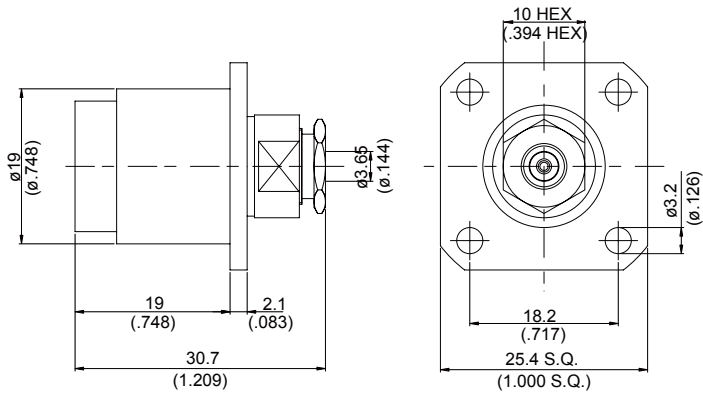


Figure 1

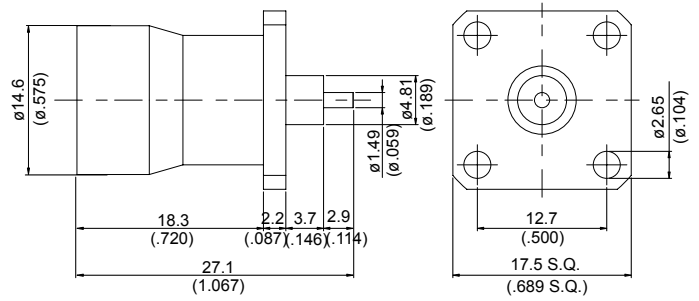


Figure 2

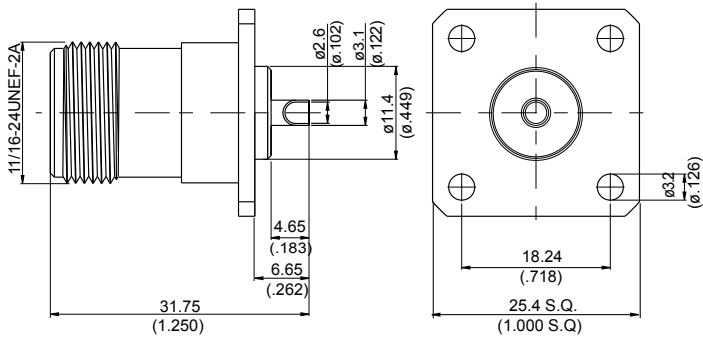
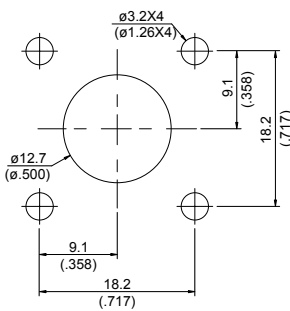
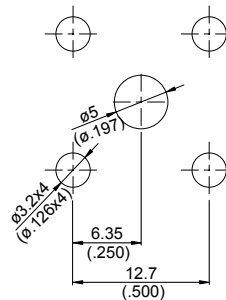


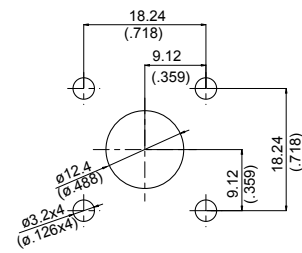
Figure 3



M.H 24



M.H 54



M.H 25

PART NUMBER	Fig.	M.H	Weight	Material	Suitable Cable	Remarks
SC SNAP ON JACK SOLDER CLAMP FOR PANEL RECEPTACLE						
MMCSCLJ-141Q	1	24		B2	Semi-rigid.141	Snap On; No Gasket
SC SNAP ON JACK FOR PANEL RECEPTACLE						
MMCSPRJ-Q	2	54	16.67g	B2		Snap On
SC JACK FOR PANEL RECEPTACLE						
MMCSPRJ-W	3	25	35.47	C2	No Gasket	