

SMS SERIES MESA MICROWAVE Coaxial Connectors

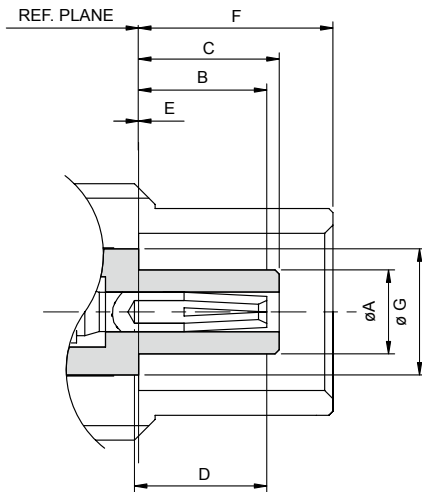
SWS

FEATURES

SMS connectors are used in applications up to 4GHz which require fast connections and disconnections.

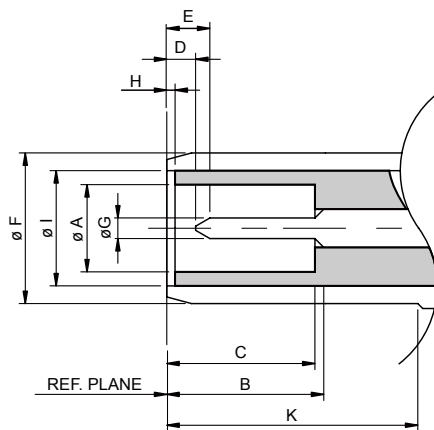
INTERFACE MATING DIMENSIONS

PLUG:



Letter	Millimeters (inch)	
	Minimum	Maximum
A	---	2.06 (.081)
B	2.85 (.112)	3.40 (.134)
C	---	3.40 (.134)
D	2.79 (.110)	---
E	0 (.000)	---
F	---	5.20 (.205)
G	3.05 (.120)	

JACK:



Letter	Millimeters (inch)	
	Minimum	Maximum
A	2.08 (.082)	---
B	3.40 (.134)	---
C	3.40 (.134)	---
D	0.61 (.024)	---
E	---	2.13 (.084)
F	3.66 (.144)	3.71 (.146)
G	0.48 (.019)	0.53 (.021)
H	0 (.000)	---
I	3.05 (.120)	---
K	5.30 (.209)	---

Note: 1. MESA MICROWAVE SMS connectors meet the interface requirements of MIL-STD-348A
2. SMS plugs are interchangeable with SMB jacks.

TECHNICAL DATA

SMS

Electrical Data	
Cable Dielectric Diameter	1(.039) 2(.079)
Working Voltage (at sea level, in V rms, 50Hz)	≤250 ≤350
Dielectric Withstanding Voltage (at sea level, in V rms, 50Hz)	750
Impedance	50 Ω
Frequency Range	DC up to 4 GHz
Insulation Resistance	≥10000M Ω
Contact Resistance Inner Conductor	≤5m Ω
Contact Resistance Outer Conductor	≤2.5m Ω

Mechanical Data	
Durability (matings)	≥500
Contact Captivation (Axial)	≥2.25 lbs
Engagement Force(typical)	1.8 lbs
Disengagement Force(typical)	1.1 lbs

Environmental Data	
Temperature Range	-65°C...+165°C
Thermal Shock	MIL-STD-202,Method 107,Condition B
Moisture Resistance	MIL-STD-202,Method 106
Corrosion	MIL-STD-202, Method 101, Condition B

MESA MICROWAVE

SWS

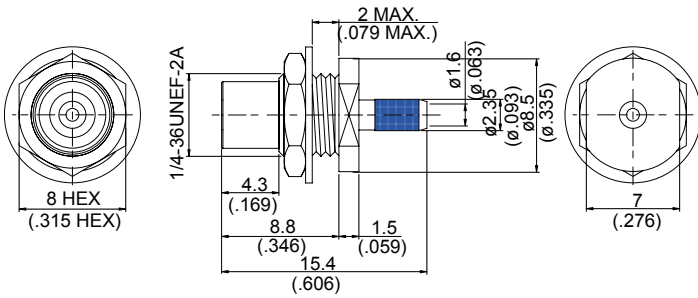


Figure 1

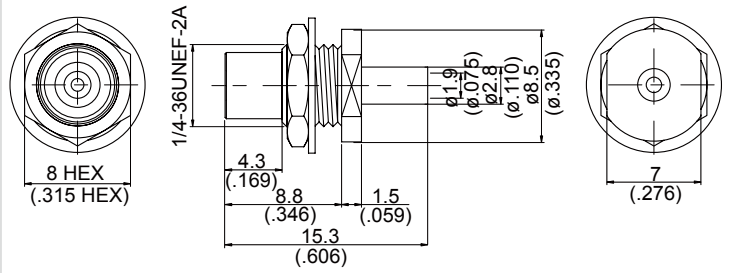


Figure 2

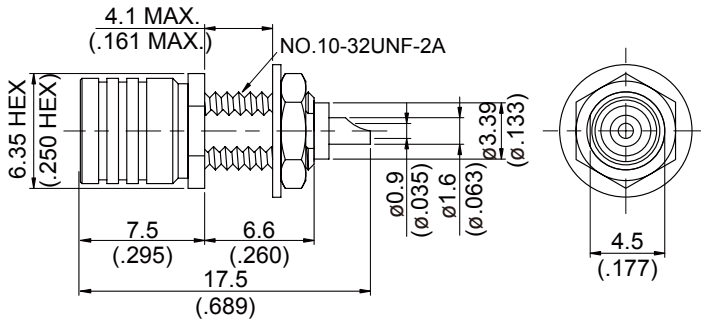


Figure 3

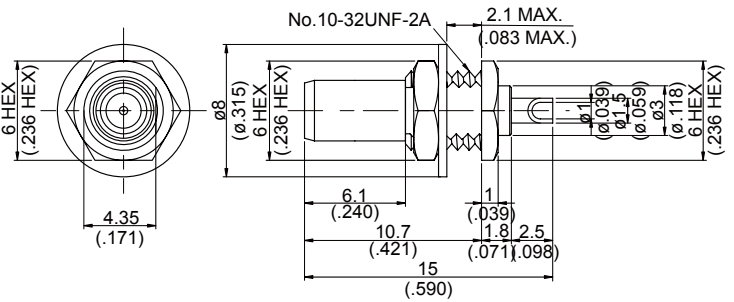
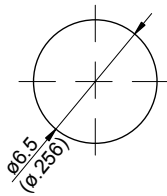
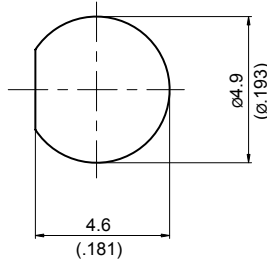


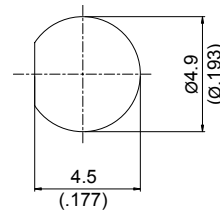
Figure 4



M.H 91



M.H 1A



M.H 1

PART NUMBER	Fig.	M.H.	Weight	Material	Suitable Cables	Remarks
SMS PLUG CRIMP FOR BULKHEAD						
MMCSSBHCP-316	1	91	2.92g	B1	RG174, RG188, RG316, RG316-E, RG316-FEP	
SMS PLUG SOLDER FOR BULKHEAD						
MMCSSBHDS-178	2	91	2.76g	B1	RG178, RG178-FEP, RG196	
SMS PLUG FOR BULKHEAD						
MMCSSBHP	3	1A		B1		
SMB JACK FOR BULKHEAD						
MMCSSBHP-01	4	1	1.13g	A1		Nut screwed on from the front