

SSMB SERIES

Microminiature Connectors

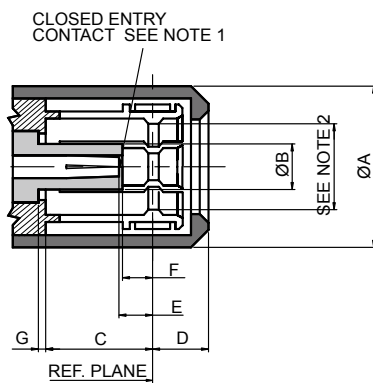
FEATURES

SSMB are 50ohm miniature connectors with a snap-on coupling which can be used in applications up to 3 GHz. They are in fact a miniaturized version of the SMB connector and are suitable to be used in small instruments with limited space.

INTERFACE MATING DIMENSIONS

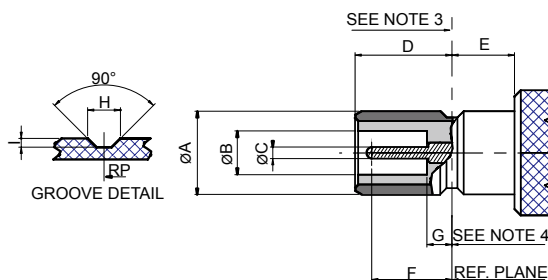
SSMB

PLUG:



Letter	Millimeters(Inch)	
	Minimum	Maximum
A	–	4.82(.190)
B	–	1.34(.053)
C	3.10(.122)	–
D	–	1.78(.070)
E	0.84(.033)	–
F	0.84(.033)	–
G	0.00	–

JACK:



Letter	Millimeters(Inch)	
	Minimum	Maximum
A	–	2.67(.105)
B	1.37(.054)	–
C	0.36(.014)	0.38(.015)
D	2.97(.117)	3.225(.127)
E	1.91(.075)	–
F	1.91(.075)	–
G	–	0.84(.033)
H	0.71(.028)	0.74(.029)
I	0.05(.002)	0.15(.006)

Note:

- 1: Inside diameter of contact to meet V.S.W.R mating characteristics and connector durability when mated with a .014~.015 inch diameter male contact
- 2: Must meet the force to engage/disengage requirement when mated with its mating part
- 3: Clearance for mating connector coupling nut
- 4: This dimension (.033 maximum) applies to both the insulator and the contact.
- 5: Mesa's SSMB connectors meet the interface requirements of MIL-STD-348A

TECHNICAL DATA

Electrical Data	
Dielectric Withstanding Voltage (at sea level, in V rms, 50Hz)	500
Working Voltage (at sea level, in V rms, 50Hz)	250
Impedance	50 Ω
Frequency Range	DC up to 4GHz
RF-leakage	-40dB min. up to 1 GHz;-70db min from 2 to 3 GHz
Insulation Resistance	$\geq 1000M \Omega$
Contact Resistance Inner Conductor	$\leq 5m \Omega$
Contact Resistance Outer Conductor	$\leq 2.5m \Omega$

Mechanical Data	
Contact Captivation(N)	≥ 1.8 lbs
Durability (matings)	500(min)
Engagement Force	≤ 6 lbs
Disengagement Force	≥ 1.8 lbs
Matings	≥ 500

Environmental Data	
Temperature Range	-65°C...+165°C
Corrosion	MIL-STD-202,Method 101, Condition 3

SSMB

MESA MICROWAVE

SSMB

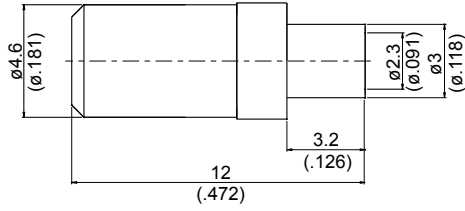


Figure 1

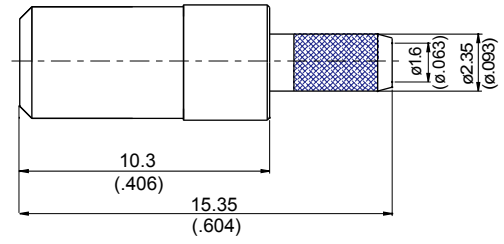


Figure 2

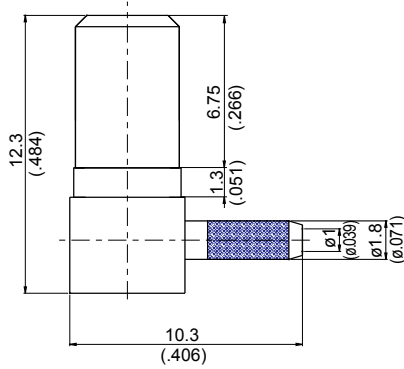


Figure 3

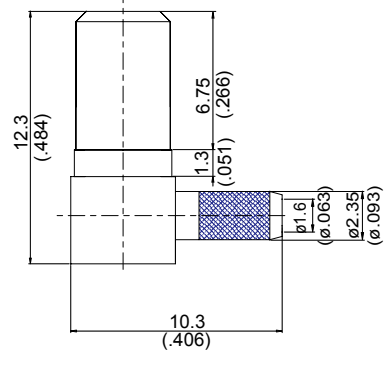


Figure 4

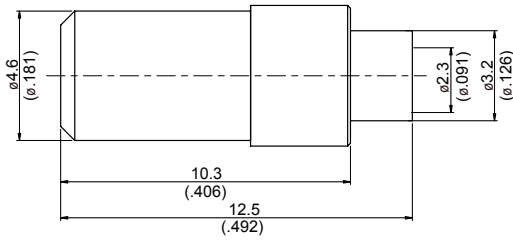


Figure 5

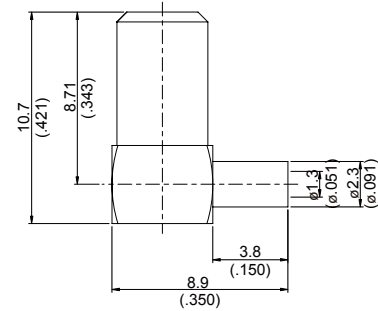


Figure 6

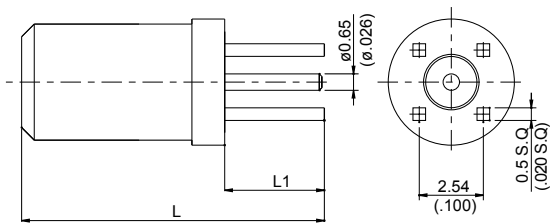


Figure 7

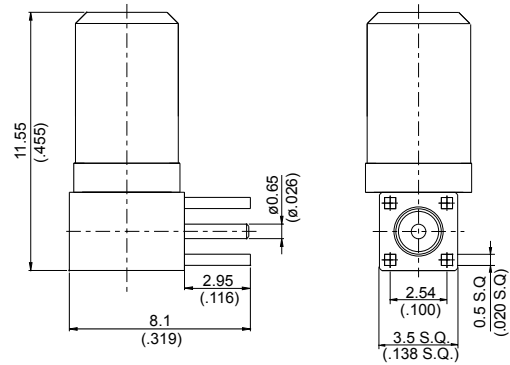
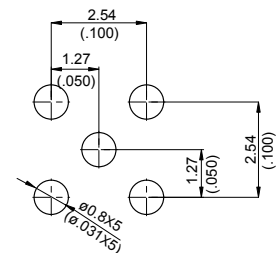


Figure 8

PART NUMBER	Fig.	Measurements	M.H	Weight	Material	Suitable Cable
SSMB PLUG CRIMP						
MMCSBCP-178	1			0.97g	B1	RG178, RG178-FEP, RG196
MMCSBCP-316	2			1.52g	B1	RG174, RG188, RG316, RG316-E, RG316-FEP
SSMB PLUG CRIMP RIGHT ANGLE						
MMCSBRACP-178	3			1.86g	B1	RG178, RG178-FEP, RG196
MMCSBRACP-316	4			1.82g	B1	RG174, RG188, RG316, RG316-E, RG316-FEP
SSMB PLUG SOLDER						
MMCSBSP-085	5			1.10g	B1	Semi-rigid .085
SSMB PLUG SOLDER RIGHT ANGLE						
MMCSBRASP-047	6			1.37g	B1	Semi-rigid .047
SSMB PLUG FOR P.C.B MOUNT						
MMCSBPMP	7	L=12.0(.472) L1=3.95(.156)		17	B1	
MMCSBPMP-S	7	L=9.05(.356) L1=1.00(.039)		17	0.73g	B1
SSMB PLUG FOR P.C.B MOUNT						
MMCSBPMP-B	8			17	0.77g	B1



M.H 17

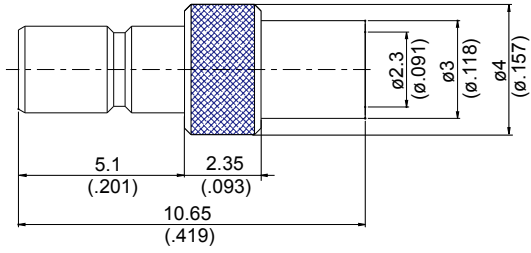


Figure 1

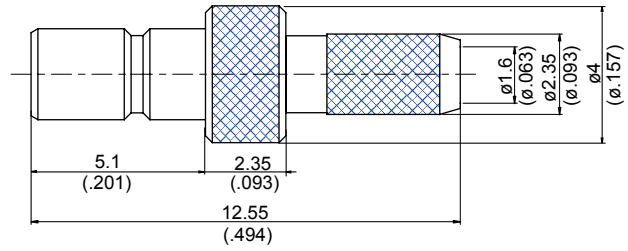


Figure 2

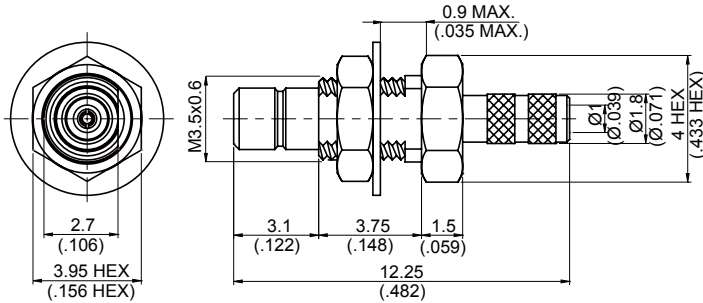


Figure 3

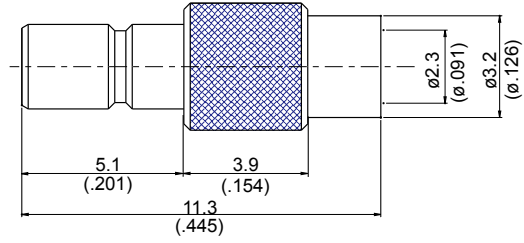


Figure 4

SSMB

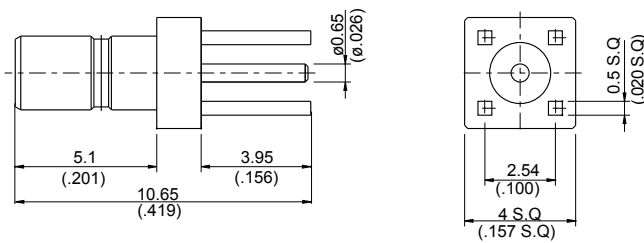


Figure 5

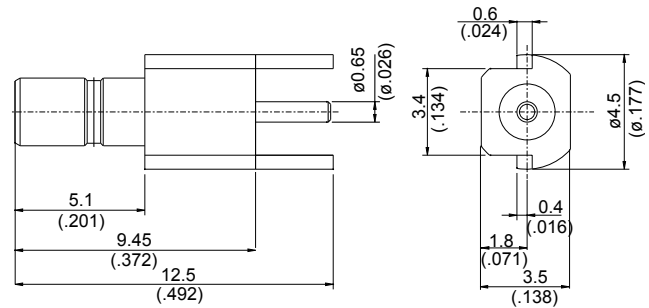


Figure 6

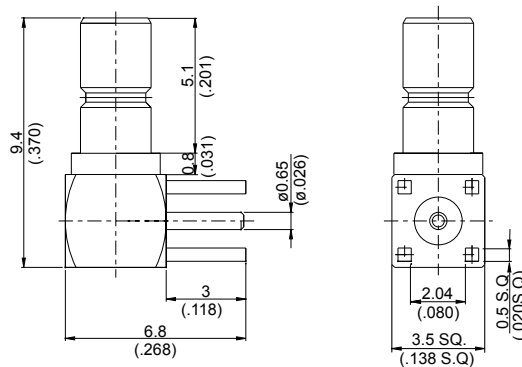
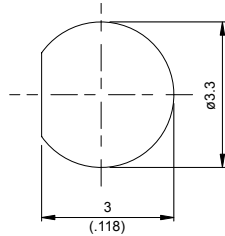
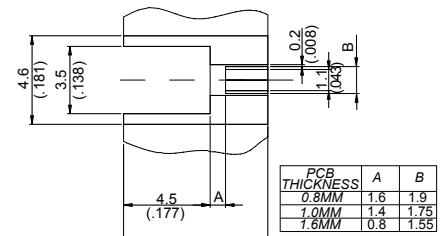


Figure 7



M.H 114

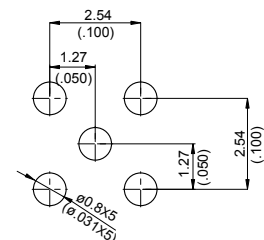


MATERIAL FR 4 (εr = 4.6)

M.H 83

PCB THICKNESS	A	B
0.8MM	1.6	1.9
1.0MM	1.4	1.75
1.6MM	0.8	1.55

PART NUMBER	Fig.	M.H	Weight	Material	Suitable Cable	Remarks
SSMB JACK CRIMP						
MMCSBCJ-178	1		0.41g	A1	RG178, RG178-FEP, RG196	
MMCSBCJ-316	2		0.74g	A1	RG174, RG188, RG316-E, RG316-FEP, RG316	
SSMB JACK CRIMP FOR BULKHEAD						
MMCSBBHCJ-178	3	114		B1	RG178, RG178-FEP, RG196	Reverse Polarity Jack; No Gasket
SSMB JACK SOLDER						
MMCSBSJ-085	4		0.45g	A1	Semi-rigid .085	
SSMB JACK P.C.B MOUNT						
MMCSBPMJ	5	17	0.35g	A1		
SSMB JACK P.C.B EDGE MOUNT						
MMCSBPMJ-EM	6	83	0.54g	A1		
SSMB JACK FOR P.C.B MOUNT RIGHT ANGLE						
MMCSBRAPMJ	7	17	0.5g	A1		



M.H 17