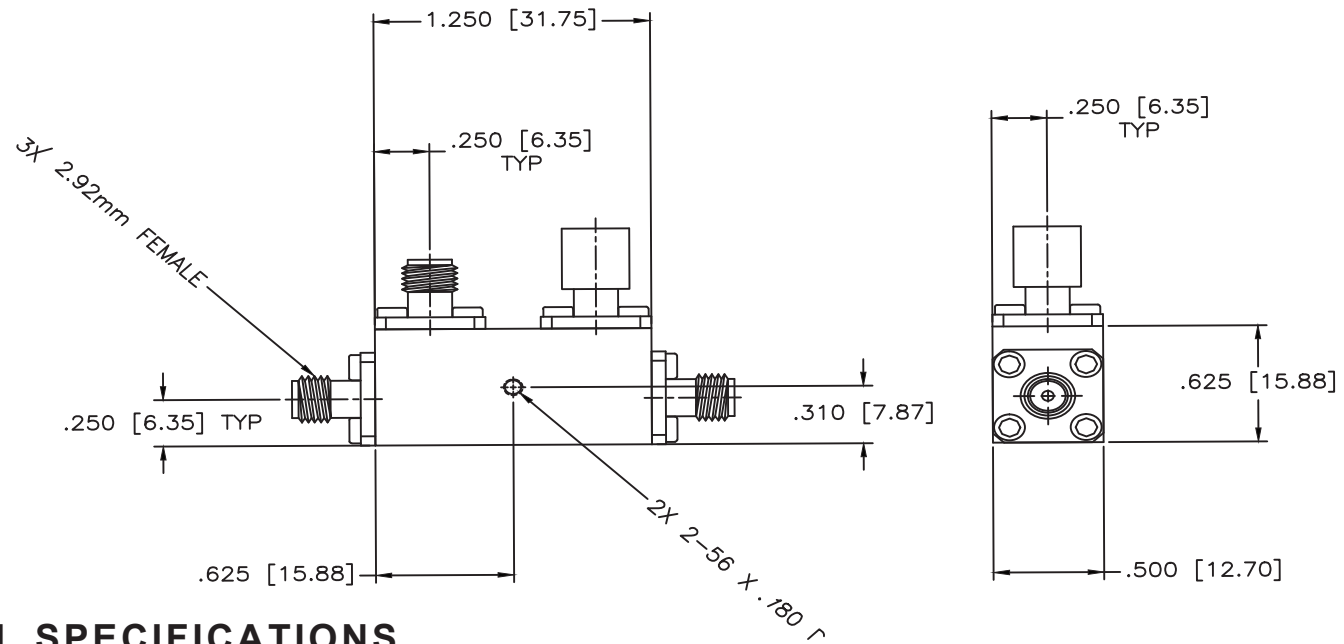


THIS DRAWING INCLUDING THE DESIGNS IS THE PROPERTY OF MESA MICROWAVE AND IS NOT TO BE USED FOR ANY PURPOSE WITHOUT OUR APPROVAL

# Directional Coupler 26.5-40 GHz



## ELECTRICAL SPECIFICATIONS

Frequency:	26-40 GHz
VSWR:	1.60:1 Max
Coupling:	3,6,10,20,30 dB +/- 0.6 dB
Insertion Loss:	1.7 dB Max
Directivity:	12 dB Min
Frequency Sensitivity:	+/- 0.7 dB
Power Incident:	50 W
Power Reflected:	5 W
Power Peak:	3KW



**Mesa Microwave**  
Corporation

2460 W. Ray Rd., Ste. 2 Chandler, AZ 85224  
T. 480.890.1612 F. 480-890-2150

Your Source for R/F And Microwave Components

sales@mesamicrowave.com www.mesamicrowave.com

DESCRIPTION :

**Directional Coupler 26.5-40 GHz**

MODEL NO. :

**MMCDC-26540-XX**

SIZE <b>A</b>	CAGE CODE : <b>6LBG8</b>	REV CODE :
SCALE : N / A	ALL SPECIFICATIONS ARE SUBJECT TO CHANGE WITHOUT NOTICE AT ANY TIME	SHEET 1 OF 1