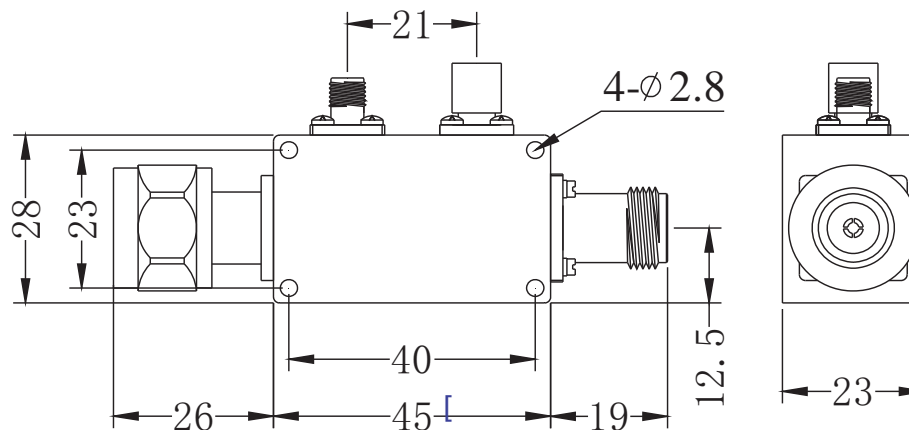


THIS DRAWING INCLUDING THE DESIGNS IS THE PROPERTY OF MESA MICROWAVE AND IS NOT TO BE USED FOR ANY PURPOSE WITHOUT OUR APPROVAL


DIRECTIONAL COUPLER, 10.7-12.75 GHz

DIMENSIONS IN MM



SPECIFICATIONS @ 25° C

Frequency Range:	10.7 to 12.75 GHz
Coupling:	10 dB Min
Directivity:	20 dB Min
VSWR:	1.3:1 Max
Connectors:	N-Female
Operating Temp:	-40C to +70C
Impedance:	50 Ohms

		2460 W. Ray Rd., Ste. 2 Chandler, AZ 85224 T. 480.890.1612 F. 480-890-2150 sales@mesamicrowave.com www.mesamicrowave.com	
		Your Source for R/F And Microwave Components	
DESCRIPTION : Directional Coupler 10.7-12.75 GHz			
MODEL NO. : MMCDC10701275-10-N			
Drawn: S.Smith Approved: M.Nguyen	SIZE A	CAGE CODE : 6LBG8	REV CODE : REV A
SCALE : N / A	ALL SPECIFICATIONS ARE SUBJECT TO CHANGE WITHOUT NOTICE AT ANY TIME		SHEET 1 OF 1