

## 2-WAY WIDE BAND POWER DIVIDER

### ELECTRICAL SPECIFICATIONS@25°C:

Parameter	Min	Typical	Max	Units
Frequency Range	0.7		2.7	GHz
Isolation	20			dB
Insertion Loss			0.6	dB
VSWR			1.3:1	Ratio
Phase Balance			±3	degree
Amplitude Balance			±0.3	dB
Power Handling(Forward)			30	Watt
Power Handling(Reversed)			1	Watt

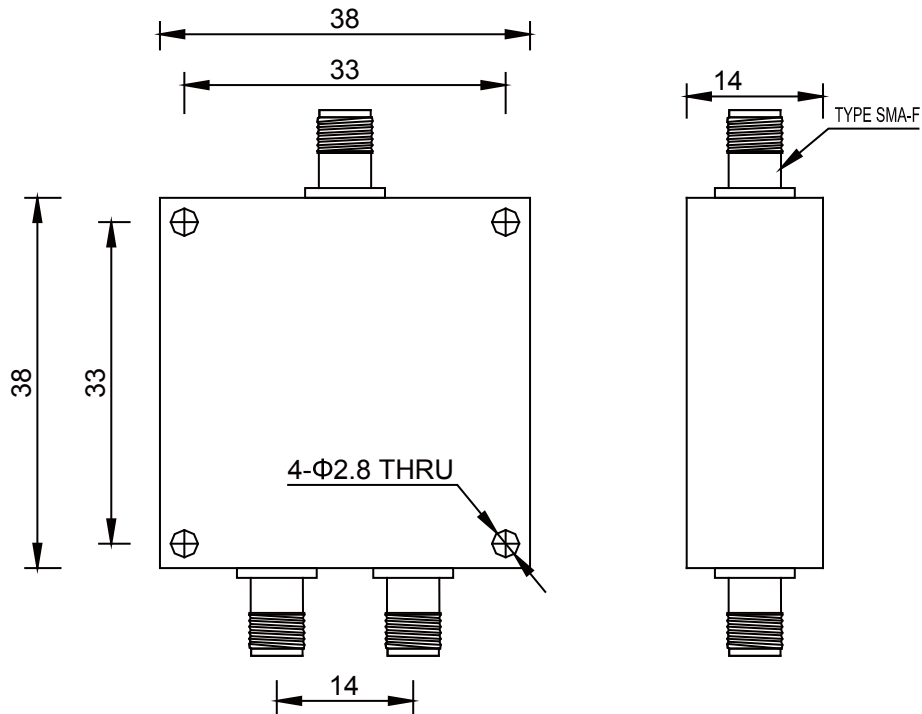
### ENVIRONMENTAL RATINGS:

Parameter	Min	Typical	Max	Units
Operating Temperature	-40		+85	°C
Non-operating Temperature	-55		125	°C
Relative humidity (non-condensing)		95		%
Altitude (MIL-STD-810F)	10000		30000	feet
Shock / Vibration (MIL-STD-810F)		Airbone		

### MECHANICAL SPECIFICATIONS:

Parameter	Value	Limits	Units
Dimensions	38*38*14	Max	Millimeter
Weight	50	Max	gram
RF Connectors Input	SMA-F		
RF Connectors output	SMA-F		
Impedance	50		ohms

OUTLINE DRAWING(mm):



**2-WAY WIDE BAND POWER DIVIDER**