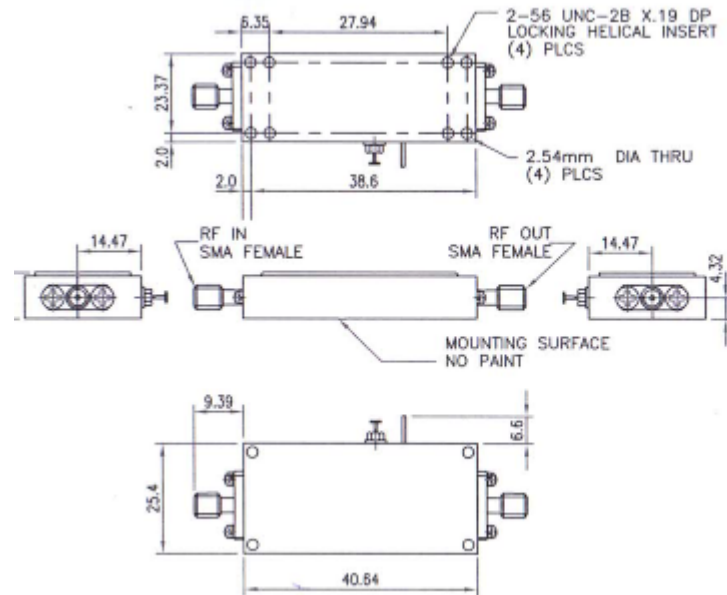





THIS DRAWING INCLUDING THE DESIGNS IS THE PROPERTY OF MESA MICROWAVE AND IS NOT TO BE USED FOR ANY PURPOSE WITHOUT OUR APPROVAL

WIDE BAND MEDIUM POWER AMPLIFIER



SPECIFICATIONS @ 25° C

Frequency Range:	8-18 Ghz
Small Singal Gain:	13.5- 15.5 dB
Small Signal Gain Flatness:	+/-1.5 dB Max
Noise Figure:	6 dB Max
Output Power 1dB Compression:	21 dBm Min
VSWR (Input/Output):	2:1 Ratio Max
DC Power Supply:	15 Volt Typ
Current:	150 mA Typ
Max Input Power:	+20 dBm Max
Operating Temp.:	-40 to +85 ° C
Non-operating Temp.:	-55 to +125° C
Relative humidity (non-condensing):	95% Typ
Altitude (MIL-STD-810F):	10000-30000 feet
Shock/Vibration (MIL-STD-810F):	Airborne
Weight:	50 gram
RF Connectors Input/Output:	SMA-F
Impedance:	50 Ohms

		2460 W. Ray Rd., Ste. 2 Chandler, AZ 85224 T. 480.890.1612 F. 480-890-2150 sales@mesamicrowave.com www.mesamicrowave.com	
Your Source for R/F And Microwave Components			
DESCRIPTION :			
Wide Band Medium Power Amplifier			
MODEL NO. :			
MMC-SSPA-0818-2113			
		SIZE	CAGE CODE :
		A	6LBG8
SCALE : N / A		REV CODE :	
		ALL SPECIFICATIONS ARE SUBJECT TO CHANGE WITHOUT NOTICE AT ANY TIME	SHEET 1 OF 1