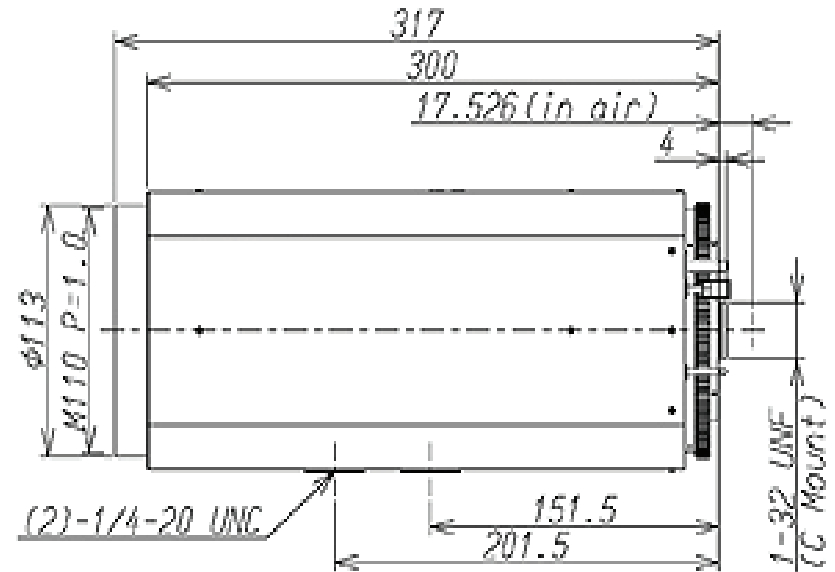
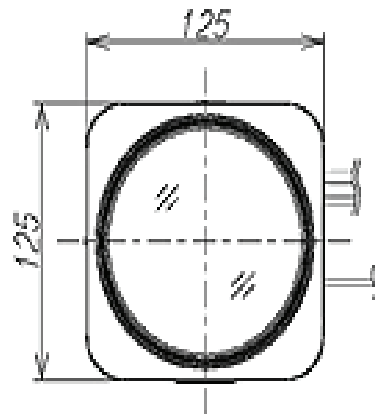


1/1.8 10-360mm F/1.6 Aspherical Mega Pixel Zoom Vari-Focal



SPECIFICATIONS @ 25°C

Focal Length:	10-360mm
Mount:	C
Aperture Range:	F/1.6 - 16
Zoom Ratio:	36X
Iris Operation:	DC Auto
Focus Operation:	Motorized (Preset Potentiometer)
Zoom Operation:	Motorized (Preset Potentiometer)
Focusing Range:	6.0m ~ INF
Input Power:	Focus-DC 8 - 12V Zoom-DC 8 - 12V
Wave Length:	Visible Light ~ Near Infrared
Filter Size:	M110 P=1.0
Iris Operating Voltage:	OPEN: 4.0V CLOSE: 0V
Weight:	5kg
Operating Temperature	-10° ~ +60° C

		2460 W. Ray Rd., Ste. 2 Chandler, AZ 85224 T. 480.890.1612 F. 480-890-2150 sales@mesamicrowave.com www.mesamicrowave.com	
Your Source for R/F And Microwave Components			
DESCRIPTION : 1/1.8 10-360mm F/1.6 Aspherical Mega Pixel Zoom Vari-Focal			
MODEL NO. : MMC-AMPZVF-10360			
SIZE	CAGE CODE :	REV CODE :	
A	6LBG8		
SCALE : N / A		ALL SPECIFICATIONS ARE SUBJECT TO CHANGE WITHOUT NOTICE AT ANY TIME	SHEET 1 OF 1