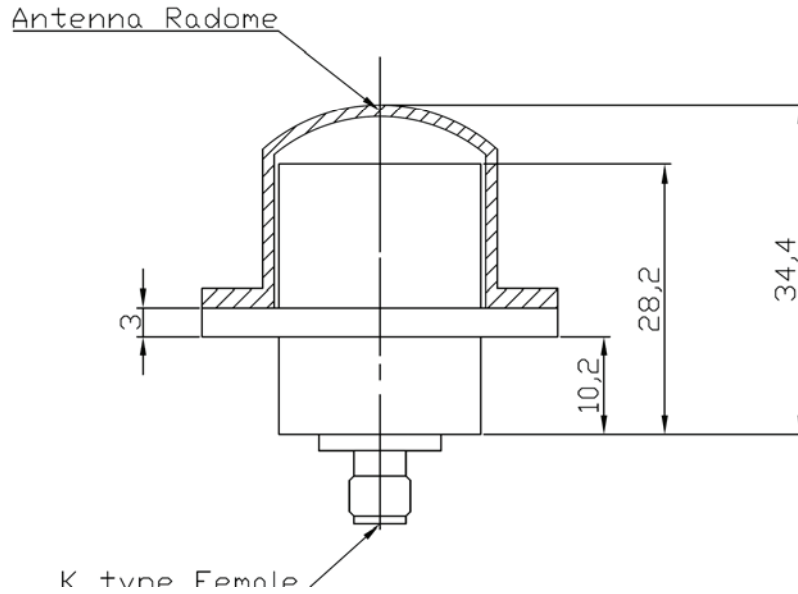
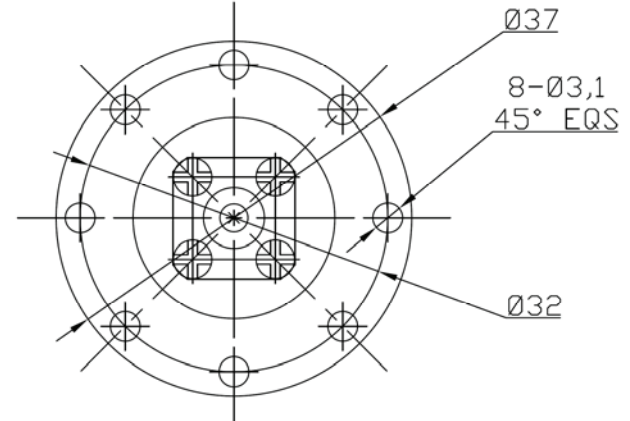


THIS DRAWING INCLUDING THE DESIGNS IS THE PROPERTY OF MESA MICROWAVE AND IS NOT TO BE USED FOR ANY PURPOSE WITHOUT OUR APPROVAL

CAVITY BACKED SPIRAL ANTENNA 18-40GHz



OUTLINE DRAWING(mm):



Mounting Flange

SPECIFICATIONS

Frequency Range: 18-40GHz
Gain (dBic): 2.84 @ 18 GHz
5.70 @ 30 GHz
0.12 @ 40 GHz
Axial Ratio: 5.5 dB Max
3dB Beamwidth(deg): E:100-45
H: 95-40
Polarization: LHCP or RHCP
VSWR: 2.0:1 Typ.
3.0:1 Max.
Connector: 2.92mm-F
Power Handling: 50 W Max CW
Size: 37 X 34.4 mm
Approx. Weight: 0.05 Kg around

		2460 W. Ray Rd., Ste. 2 Chandler, AZ 85224 T. 480.890.1612 F. 480-890-2150 sales@mesamicrowave.com www.mesamicrowave.com	
Your Source for R/F And Microwave Components			
DESCRIPTION :		Cavity Backed Spiral Antenna	
MODEL NO. :		MMCSA-1840-292F	
SIZE	CAGE CODE :	REV CODE :	
A	6LBG8		
SCALE : N / A		ALL SPECIFICATIONS ARE SUBJECT TO CHANGE WITHOUT NOTICE AT ANY TIME	SHEET 1 OF 2