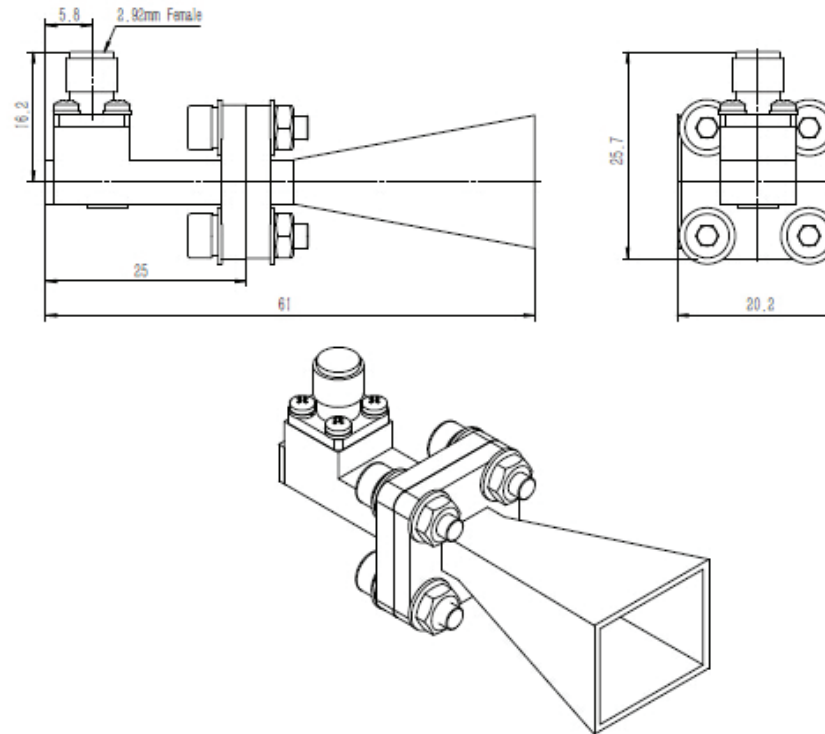


THIS DRAWING INCLUDING THE DESIGNS IS THE PROPERTY OF MESA MICROWAVE AND IS NOT TO BE USED FOR ANY PURPOSE WITHOUT OUR APPROVAL

Schedule B: 8529.10.9000 EAR 99 NLR

26.5-40.0 GHz Standard Gain Horn Antenna



SPECIFICATIONS

Frequency Range(GHz)	26.5-40.00
Gain(dB)	15 Typ.
3dB Beamwidth(deg)	30 Typ.
Waveguide	WR28
Material	Cu
Output	2.92-F
Net Weight(Kg)	.07 Around
Size(mm) W x H x L	20.2X16.6X61

Mesa Microwave
Corporation

Your Source for R/F And Microwave Components

2460 W. Ray Rd., Ste. 2 Chandler, AZ 85224
T. 480.890.1612 F. 480-890-2150

sales@mesamicrowave.com www.mesamicrowave.com

DESCRIPTION :

26.5-40.0 GHz Standard Gain Horn Antenna

MODEL NO. :

MMC-WGHA-WR28-15-K(F)

SIZE
A

CAGE CODE :
6LBG8

REV CODE :

SCALE : N / A

ALL SPECIFICATIONS ARE SUBJECT TO
CHANGE WITHOUT NOTICE AT ANY TIME

SHEET 1 OF 1