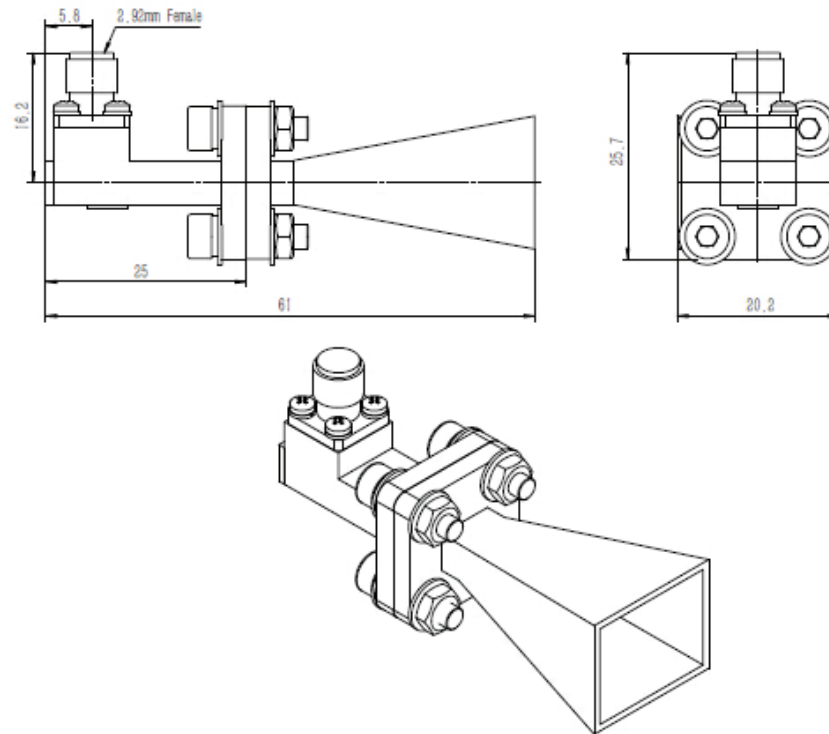


THIS DRAWING INCLUDING THE DESIGNS IS THE PROPERTY OF MESA MICROWAVE AND IS NOT TO BE USED FOR ANY PURPOSE WITHOUT OUR APPROVAL

Schedule B: 8529.10.9000 EAR 99 NLR

18.0-26.5 GHz Standard Gain Horn Antenna



SPECIFICATIONS

Frequency Range(GHz)	18.0-26.5
Gain(dB)	15 Typ.
3dB Beamwidth(deg)	30 Typ.
Waveguide	WR42
Material	Cu
Output	2.92-F
Net Weight(Kg)	.15 Around
Size(mm) W x H x L	34X28.81X73

Mesa Microwave
Corporation

Your Source for R/F And Microwave Components

2460 W. Ray Rd., Ste. 2 Chandler, AZ 85224
T. 480.890.1612 F. 480-890-2150

sales@mesamicrowave.com www.mesamicrowave.com

DESCRIPTION :

18.0-26.5 GHz Standard Gain Horn Antenna

MODEL NO. :

MMC-WGHA-WR42-15-K(F)

SIZE
A

CAGE CODE :
6LBG8

REV CODE :

SCALE : N / A

ALL SPECIFICATIONS ARE SUBJECT TO
CHANGE WITHOUT NOTICE AT ANY TIME

SHEET 1 OF 1