

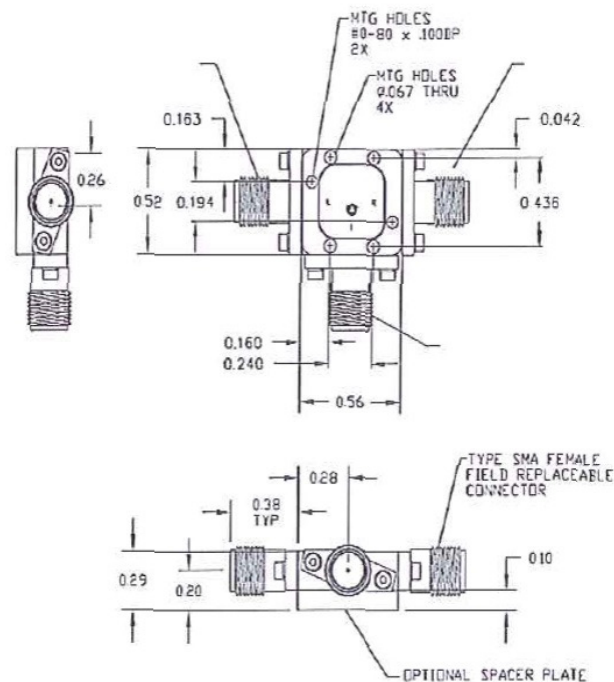
THIS DRAWING INCLUDING THE  
DESIGNS IS THE PROPERTY OF  
MESA MICROWAVE AND IS NOT  
TO BE USED FOR ANY PURPOSE  
WITHOUT OUR APPROVAL


# DOUBLE BALANCED MIXER 12 to 20 GHz

## SPECIFICATIONS

(Electrical Specifications @ 25°C )

RF Frequency Range: 12-20 GHz  
 RF VSWR: 3:1  
 LO Frequency Range: 12-20 GHz  
 LO Power Range: 7-13 dBm  
 LO VSWR: 3:1  
 Conversion Loss: 5 dB Max  
 Single-sideband noise figure: 6 dB Typ  
 LO-to-RF Isolation: 40 dB Min  
 LO-to-IF Isolation: 40 dB Min  
 RF-to-IF Isolation: 40 dB Min  
 Input power @ 1 dB compression: +5 dBm  
 Input two-tone-third-order intercept point: 19 dBm  
 Output IF Frequency: DC-0.5 GHz Max  
 Output IF VSWR : 2.5:1  
 Operating Temp: -40C to +85C  
 Non-Operating Temp: -55C to -125C  
 Dimensions: 20 X 15 X 7.3  
 Weight: 50 Gram  
 RF Connector Input: SMA-F  
 RF Connector Output: SMA-F  
 Impedance: 50 Ohms  
 Shock/Vibration: MIL-STD-810F



		2460 W. Ray Rd., Ste. 2 Chandler, AZ 85224	
		T. 480.890.1612 F. 480-890-2150	
Your Source for R/F And Microwave Components		sales@mesamicrowave.com www.mesamicrowave.com	
DESCRIPTION :			
<b>Double</b>		<b>Balance Mixer</b>	
MODEL NO. :			
<b>MMCBM-1220-40S</b>			
SIZE	CAGE CODE :	REV CODE :	
A	6LBG8		
SCALE : N / A		ALL SPECIFICATIONS ARE SUBJECT TO CHANGE WITHOUT NOTICE AT ANY TIME	SHEET 1 OF 1

