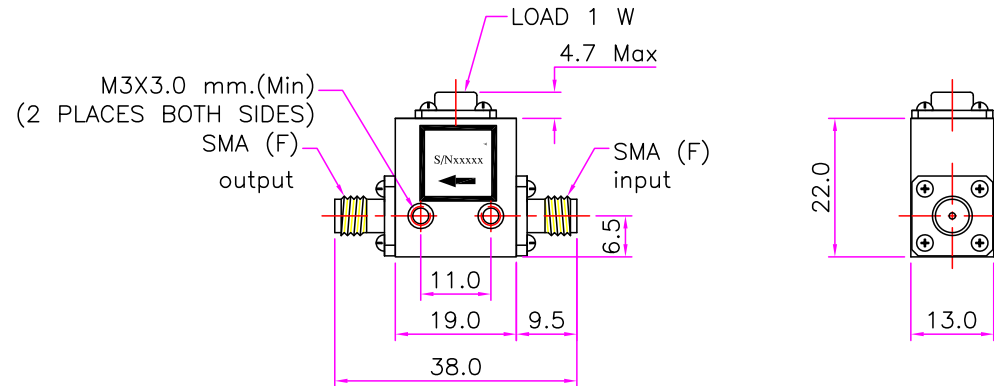


COAXIAL ISOLATOR




THIS DRAWING INCLUDING THE DESIGNS IS THE PROPERTY OF MESA MICROWAVE AND IS NOT TO BE USED FOR ANY PURPOSE WITHOUT OUR APPROVAL



Unit: mm/ inch, General part tolerance is 0.2mm unless otherwise stated.

SPECIFICATIONS @ 25° C

Frequency Range: 12 to 18 GHz
Isolation: 20 dB Min
Insertion Loss: 0.50 dB Max
VSWR: 1.25:1 Max
Forward Power: 5 Watts
Reserve Power: 1 Watt

		2460 W. Ray Rd., Ste. 2 Chandler, AZ 85224 T. 480.890.1612 F. 480-890-2150 sales@mesamicrowave.com www.mesamicrowave.com	
Your Source for R/F And Microwave Components			
DESCRIPTION : Coaxial Isolator			
MODEL NO. : MMC-CI-1218-20			
		SIZE A	CAGE CODE : 6LBG8
		REV CODE : REV A	
SCALE : N / A		ALL SPECIFICATIONS ARE SUBJECT TO CHANGE WITHOUT NOTICE AT ANY TIME	SHEET 1 OF 1