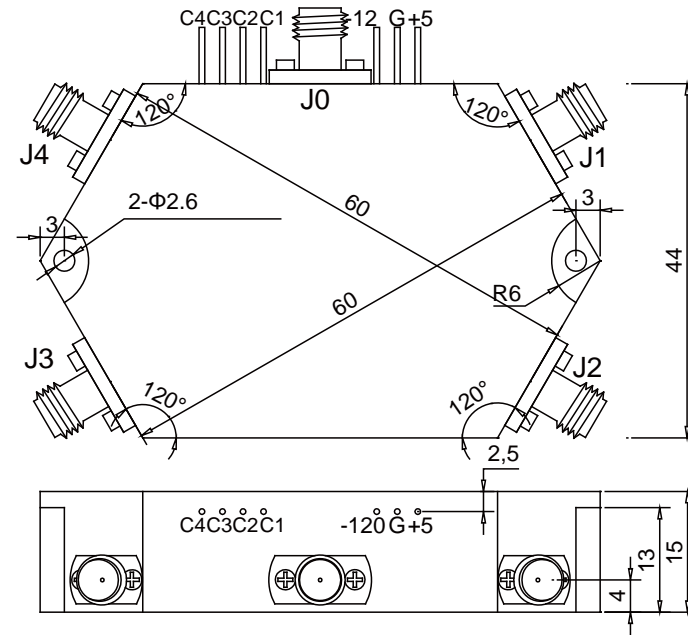


# SP4T HIGH POWER SWITCH

THIS DRAWING INCLUDING THE DESIGNS IS THE PROPERTY OF MESA MICROWAVE AND IS NOT TO BE USED FOR ANY PURPOSE WITHOUT OUR APPROVAL

## SPECIFICATIONS

Frequency:	1 to 1.1 GHz
Insertion Loss:	1 dB Max
Isolation:	50 dB Min
VSWR:	1.5:1 Max
Switching Speed:	1 us Min, 2 us Max
Power:	50 Watts CW
Pulse Power:	4000 Watts Max
Impedance:	50 Ohms
Temp:	-40C to +70C
Connectors:	SMA(F) as per MIL-39012
Shock/Vibration:	MIL-STD-810F
DC Supply:	+5V, 200 mA -120V, 50 mA



DIMENSIONS IN MM

C4	C3	C2	C1	Signal Path
1	1	1	0	J0-J1
1	1	0	1	J0-J2
1	0	1	1	J0-J3
0	1	1	1	J0-J4

TTL CONTROL LOGIC

TTL 0 (low) (0 to 0.8 V) :Loss

TTL 1 (high) (2.4 to 4.7 V) :Isolation

**Mesa Microwave**  
Corporation

2460 W. Ray Rd., Ste. 2 Chandler, AZ 85224  
T. 480.890.1612 F. 480-890-2150

Your Source for R/F And Microwave Components

sales@mesamicrowave.com www.mesamicrowave.com

DESCRIPTION :

**SPDT High Power Switch**

MODEL NO. :

**MMC-SPDT-1011-SF**



SIZE  
A

CAGE CODE :  
6LBG8

REV CODE :  
A

SCALE : N / A

ALL SPECIFICATIONS ARE SUBJECT TO CHANGE WITHOUT NOTICE AT ANY TIME

SHEET 1 OF 1