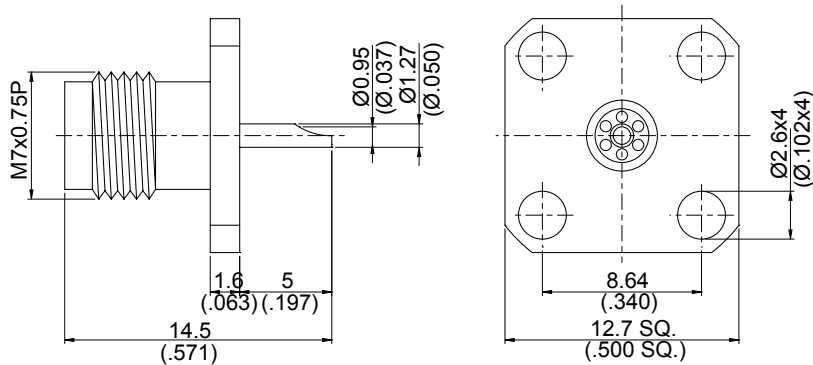


MMC24PRJ4

2.4 Jack For Panel Receptacle 50Ω



Parts	Material	Plating (Micro-inch)
Ferrule	Stainless Steel	Passivated
Contact Pin	Beryllium Copper	Gold 4 Over Nickel-Phosphorus Alloy 80 Over Copper 20
Insulator	P.P.O	
Body	Stainless Steel	Passivated

This part number complies with RoHS.

Notice: Mesa Microwave reserves the right to make modifications deemed appropriate.