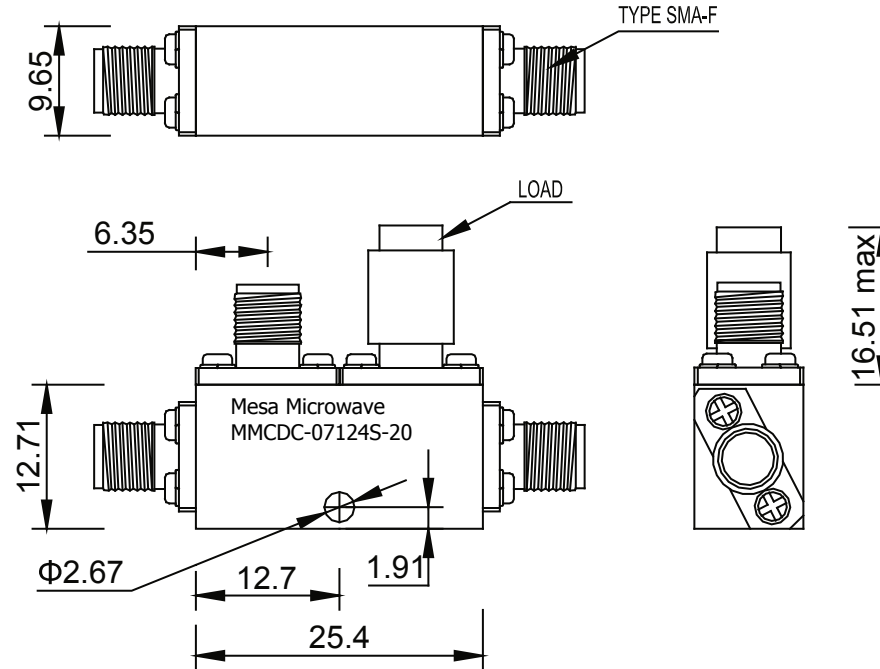


THIS DRAWING INCLUDING THE DESIGNS IS THE PROPERTY OF MESA MICROWAVE AND IS NOT TO BE USED FOR ANY PURPOSE WITHOUT OUR APPROVAL

DIRECTIONAL COUPLER

Frequency Range: 7 to 12.4 GHz



SPECIFICATIONS @ 25° C

Frequency:	7-12.4 GHz
Coupling:	20 +/- 1 dB
Insertion Loss:	1.2 dB Max
Directivity:	17 dB Max
VSWR:	1.3 Max
Power handling average:	50 Watt
Power handling peak:	2 Watt
Operating Temperature:	-55 to +85 degree
Non-operating Temp:	-55 to 125 degree
Relative humidity:	95 %
Dimensions:	25.4 X 12.71 X 9.65 mm
Weight:	50 gram
RF Connectors(Input/Output)	50 ohms

OUTLINE DRAWING(mm):

		2460 W. Ray Rd., Ste. 2 Chandler, AZ 85224	
		T. 480.890.1612 F. 480-890-2150	
Your Source for R/F And Microwave Components		sales@mesamicrowave.com www.mesamicrowave.com	
DESCRIPTION : Directional Coupler			
MODEL NO. : MMCD07124S-20			
Drawn by: Shawn Smith	SIZE A	CAGE CODE : 6LBG8	REV CODE : REV A
Date: 02/10/2014	SCALE : N / A	ALL SPECIFICATIONS ARE SUBJECT TO CHANGE WITHOUT NOTICE AT ANY TIME	
			SHEET 1 OF 1