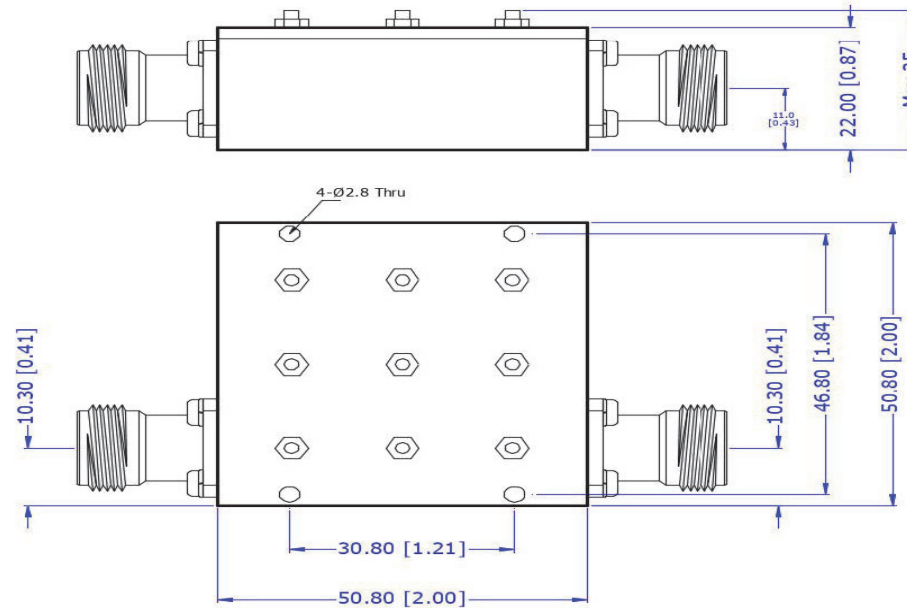


THIS DRAWING INCLUDING THE DESIGNS IS THE PROPERTY OF MESA MICROWAVE AND IS NOT TO BE USED FOR ANY PURPOSE WITHOUT OUR APPROVAL

BANDPASS FILTER


4.4-4.6 GHz, N(f)



OUTLINE DRAWING mm[In]

SPECIFICATIONS

Frequency Range:	4.4 to 4.6 GHz
Center Frequency:	4.5 GHz
Bandwidth:	200 MHz
Insertion Loss:	1 dB Max
Return Loss:	14 dB Min
Rejection:	70 dB Min @ 4.0/4.8 GHz
Power:	80 W CW Max
Operating Temp:	-40C to +70C
Cavity Material:	Aluminum
Connectors:	N(F/F) Stainless Steel
Impedance:	50 Ohms
Relative Humidity:	5 to 95% RH

		2460 W. Ray Rd., Ste. 2 Chandler, AZ 85224 T. 480.890.1612 F. 480-890-2150 sales@mesamicrowave.com www.mesamicrowave.com	
		Your Source for R/F And Microwave Components	
DESCRIPTION :			
BAND PASS FILTER			
MODEL NO. :			
MMC-BPF-4446-N-80			
Drawn by: S.Smith Date: 05/22/2020		SIZE A	CAGE CODE : 6LBG8
		REV CODE : REV A	
SCALE : N / A		ALL SPECIFICATIONS ARE SUBJECT TO CHANGE WITHOUT NOTICE AT ANY TIME	SHEET 1 OF 1