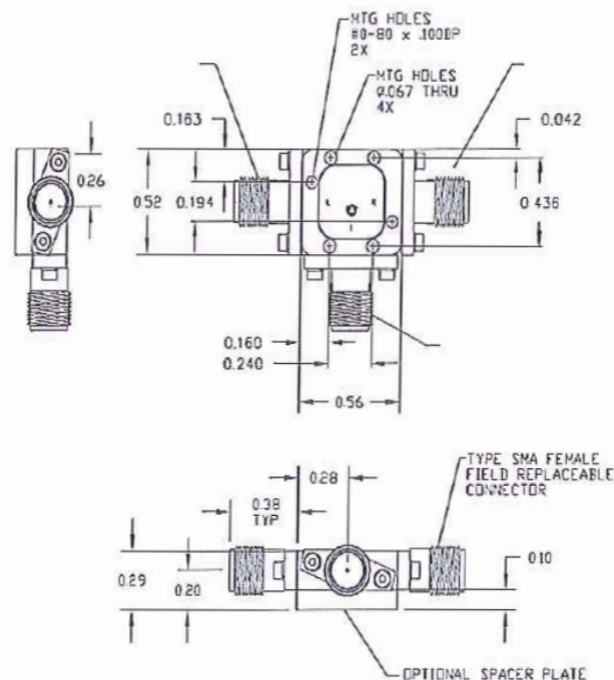



DOUBLE & TRIPLE BALANCED MIXER

THIS DRAWING INCLUDING THE DESIGNS IS THE PROPERTY OF MESA MICROWAVE AND IS NOT TO BE USED FOR ANY PURPOSE WITHOUT OUR APPROVAL.



SPECIFICATIONS

RF Frequency Range:	12.0-20.0 GHz
RF VSWR:	3:1
LO Frequency Range:	12.0-20.0 GHz
LO Power Range:	7.0-13.0 dBm
LO VSWR:	3:1
Conversion Loss:	6 dB
Single-Sideband Noise Figure:	6 dB
LO-to-RF Isolation:	30 dB
LO-to-IF Isolation:	30 dB
RF-to-IF Isolation:	30 dB
Inout Power at 1dB Compression:	+5dBm
Input Two-Tone Third-Order Intercept Point:	19 dBm
Output IF Frequency:	DC-0.5 GHz
Output IF VSWR:	2.5:1
Operating Temperature:	-40 °c to +85 °c
Relative Humidity(Non-Condensing):	95%
Altitude (MIL-STD-810F):	10000-30000 feet
Shock/Vibration (MIL-STD-810F):	Airbone
RF Connectors Input:	SMA-F
RF Connectors Output:	SMA-F
Impedance:	50 ohms

		2460 W. Ray Rd., Ste. 2 Chandler, AZ 85224 T. 480.890.1612 F. 480-890-2150	
		Your Source for R/F And Microwave Components sales@mesamicrowave.com www.mesamicrowave.com	
DESCRIPTION :			
DOUBLE & TRIPLE BALANCED MIXER			
MODEL NO. :			
MMC-DBM1220-30A			
SIZE	CAGE CODE :	REV CODE :	
A	6LBG8		
SCALE : N / A		ALL SPECIFICATIONS ARE SUBJECT TO CHANGE WITHOUT NOTICE AT ANY TIME	SHEET 1 OF 1