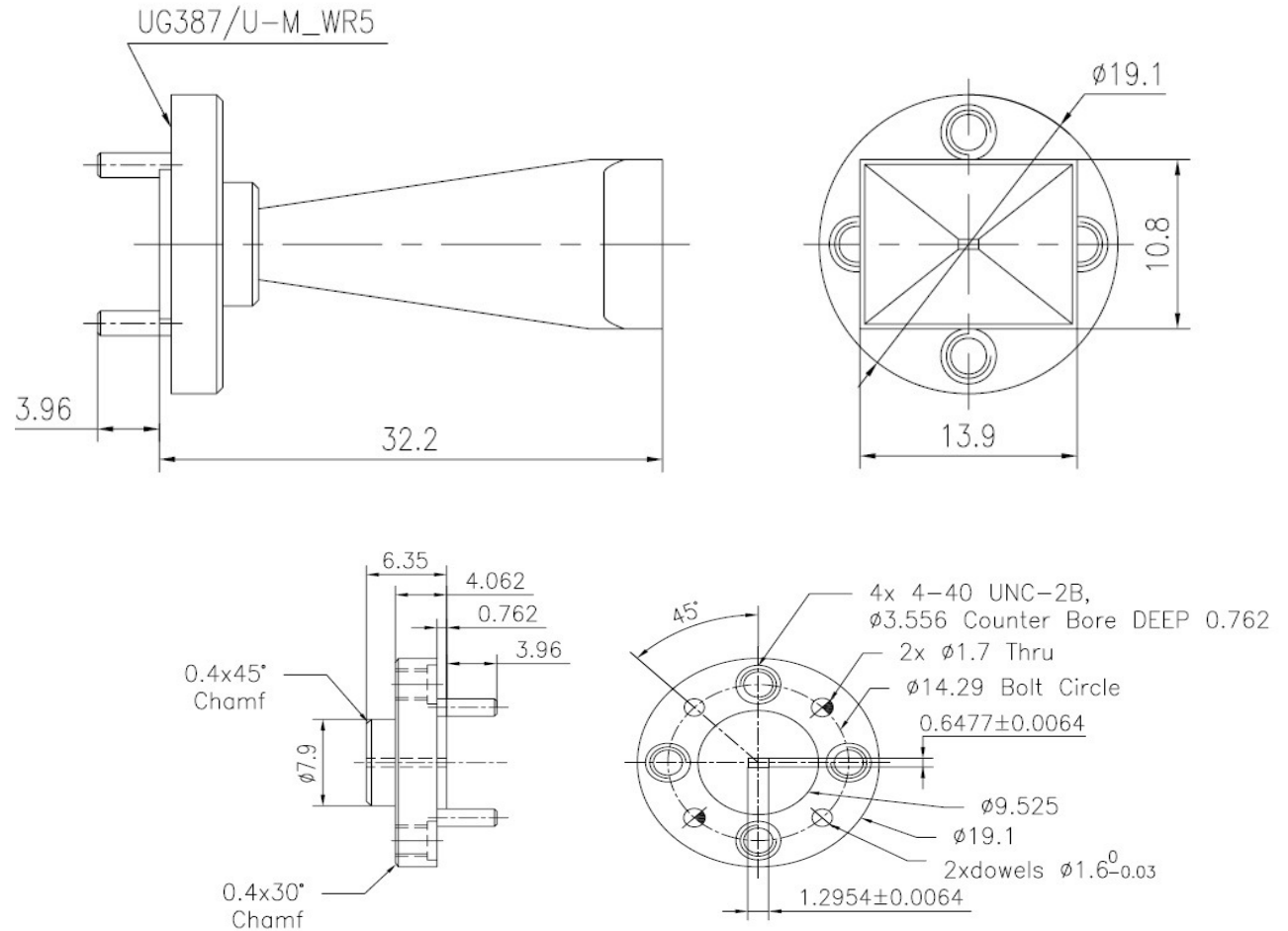


Standard Gain Horn Antenna 140-220 Ghz

THIS DRAWING INCLUDING THE DESIGNS IS THE PROPERTY OF MESA MICROWAVE AND IS NOT TO BE USED FOR ANY PURPOSE WITHOUT OUR APPROVAL



UG387/U-M_WR5

SPECIFICATIONS

Frequency Range	140 to 220 GHz
Waveguide Dimension:	.051x.0255
Waveguide :	WR-5
Flange Type:	UG387/U
Gain:	25 dB Nominal
3 dB Beamwidth(Deg):	10 Typical
Material:	Copper

		2460 W. Ray Rd., Ste. 2 Chandler, AZ 85224 T. 480.890.1612 F. 480-890-2150 sales@mesamicrowave.com www.mesamicrowave.com	
Your Source for R/F And Microwave Components			
DESCRIPTION : Standard Gain Antenna WR-5			
MODEL NO. : MMC-WGHA-WR5-25			
SIZE	CAGE CODE :	REV CODE :	
A	6LBG8		
SCALE : N / A	ALL SPECIFICATIONS ARE SUBJECT TO CHANGE WITHOUT NOTICE AT ANY TIME		SHEET 1 OF 1