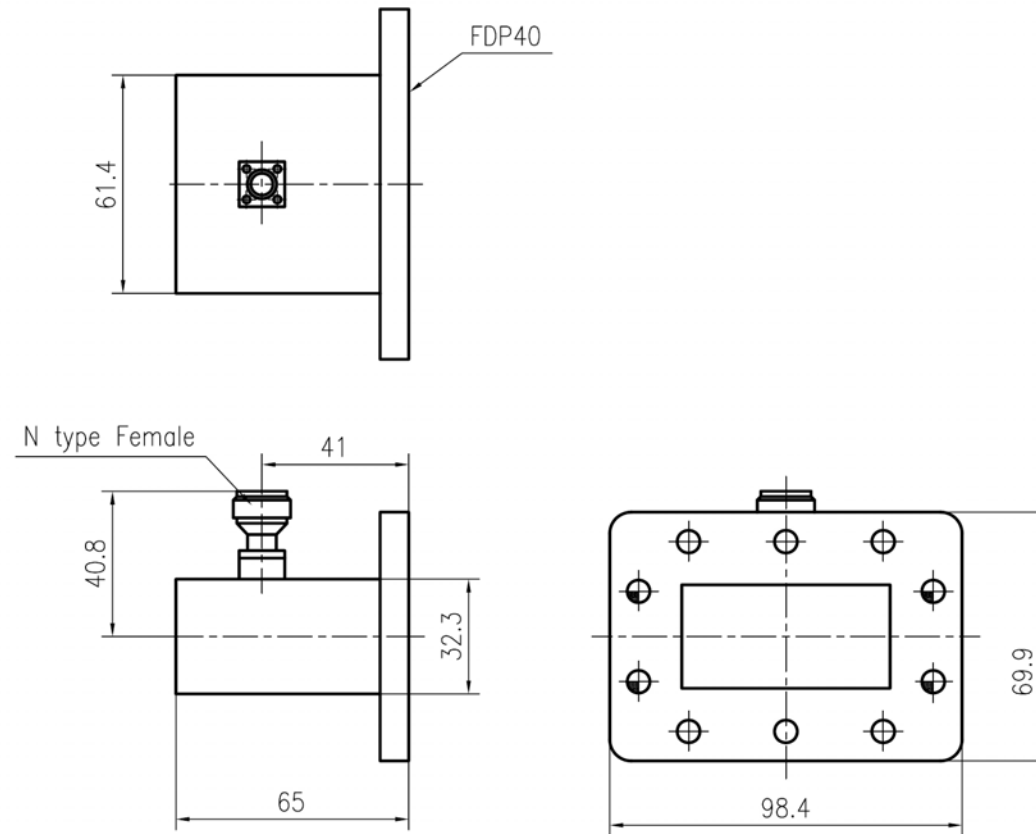



WR 229 R/A Angle Waveguide to Coaxial Adapter



SPECIFICATIONS

Frequency Range:	3.3 to 4.9 GHz
Insertion Loss:	0.14 dB Max
VSWR:	1.25:1
Connectors:	N(F)
WG :	WR 229
Flange:	UDR40
Material:	Aluminium

		2460 W. Ray Rd., Ste. 2 Chandler, AZ 85224	
		T. 480.890.1612 F. 480-890-2150	
Your Source for R/F And Microwave Components		sales@mesamicrowave.com www.mesamicrowave.com	
DESCRIPTION :			
R/A Waveguide to Coaxial Adapter			
MODEL NO. :			
MMCWGA-WR229-N(F)			
SIZE	CAGE CODE :	REV CODE :	
A	6LBG8		
SCALE : N / A	ALL SPECIFICATIONS ARE SUBJECT TO CHANGE WITHOUT NOTICE AT ANY TIME		SHEET 1 OF 1